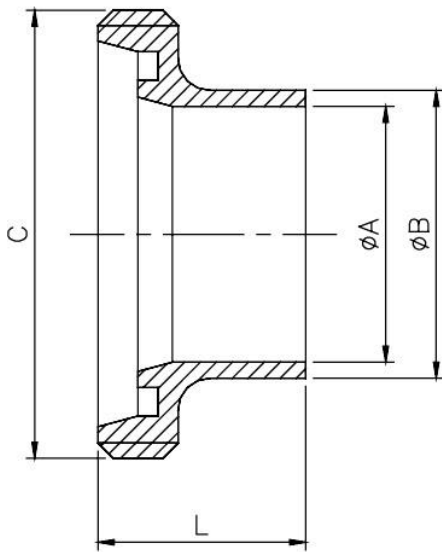


Datesheet

DIN-15I IMPERIAL MALE 11851



RS Code	SIZE	A	B	C	L
918-6346	1"	22.1	25.4	RD52x1/6	29
918-6355	1-1/2"	34.8	38.1	RD65x1/6	33
918-6358	2"	47.5	50.8	RD78x1/6	35

unit:mm

FEATURES

- Material : SS 304
- Applications : Food, Drinking Water