

M/800

Heavy duty flow regulator, uni-directional



- > Port size: G1/8 ... G1
- > Line mounted general purpose regulators
- > Captive regulating needle will not blow out when unscrewed
- > Calibrated adjusting knob, can be locked
- > Suitable for wall mounting
- > High operating pressure



Technical features

Medium:

Compressed air, filtered, lubricated or non-lubricated

Operation:

Heavy duty flow regulators (uni-directional)

Operating pressure:

0,3 ... 16 bar (4 ... 232 psi)

Port size:

1/8", 1/4", 1/2", 3/4", 1"

Mounting:

Line mounted

Ambient/Media temperature:

-20 ... +80°C max. (-4 ... 176°F) (alternative models to 150°C (+302°F))

Air supply must be dry enough to avoid ice formation at temperatures below +2°C. (+35°F)

Materials:

./836, ./837, ./839

Body, adjusting knob and locking ring: brass

Seals: NBR

./840, ./855

Body, adjusting knob and locking ring: aluminium
Seals: NBR

Technical data, standard models

Symbol	Port size	Max. regulated flow factor			Free flow factor			Metered/ free flow at 6 - 5 bar	Weight (kg)	Spare kit	Model
		C *1)	Cv	Kv *2)	C *1)	Cv	Kv *2)				
	G 1/8	0,7	0,17	0,15	2,1	0,6	0,45	170/ 509	0,10	QS/520/00	S/836
	G 1/4	2	0,49	0,43	4,3	1	0,92	486/ 1040	0,15	QS/521/00	M/837
	G 1/2	12	2,9	2,56	17	4,1	3,62	2894/ 4002	0,60	QS/522/00	M/839
	G 3/4	18	4,4	3,83	38	9,3	8,09	5330/ 9146	1,20	QS/523/00	M/840
	G 1	36	8,8	7,67	45	11	9,60	8671/ 10853	3,50	QS/524/00	M/855

*1) Measured in dm³/(s.bar)

*2) Measured in m³/h

Options selector

Alternative models	Substitute
High temperature +150°C max	T
Thread form	Substitute
ISO G, parallel, 1/8 only	S
ISO G, parallel	M
NPT *	C

★★/8★★

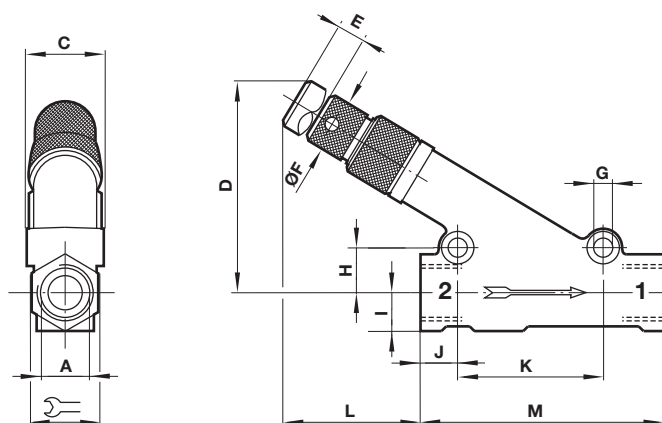
Port size	Substitute
1/8"	36
1/4"	37
1/2"	39
3/4"	40
1"	55

* NPT = Products are finished with National Pipe Straight Threads for Couplings, which are specifically designed to made with NPT male threads.

Spare kits for NPT version are:
QC/5.... instead of QS/5....

Dimensions

Dimensions in mm
Projection/First angle



A	C	D (max.)	E	ØF	ØG	H	I	J	K	L (max.)	M		Model
G1/8	17	38	6,5	8,5	5,1	8,5	8,0	5,0	24,5	27,5	46	13	S/836
G1/4	22	37,5	7,5	11,5	5,2	11,0	9,5	6,0	41,0	25	60	17	M/837
G1/2	28	80	13	20,5	8,3	17,0	16,0	13,0	57,0	53	95	28	M/839
G3/4	38	104	13	25,5	8,30	21,5	17,5	20,5	76,0	66	118	32	M/840
G1	52	147	22	35,5	13,0	26,0	24,0	23,0	90,0	107	150	48	M/855