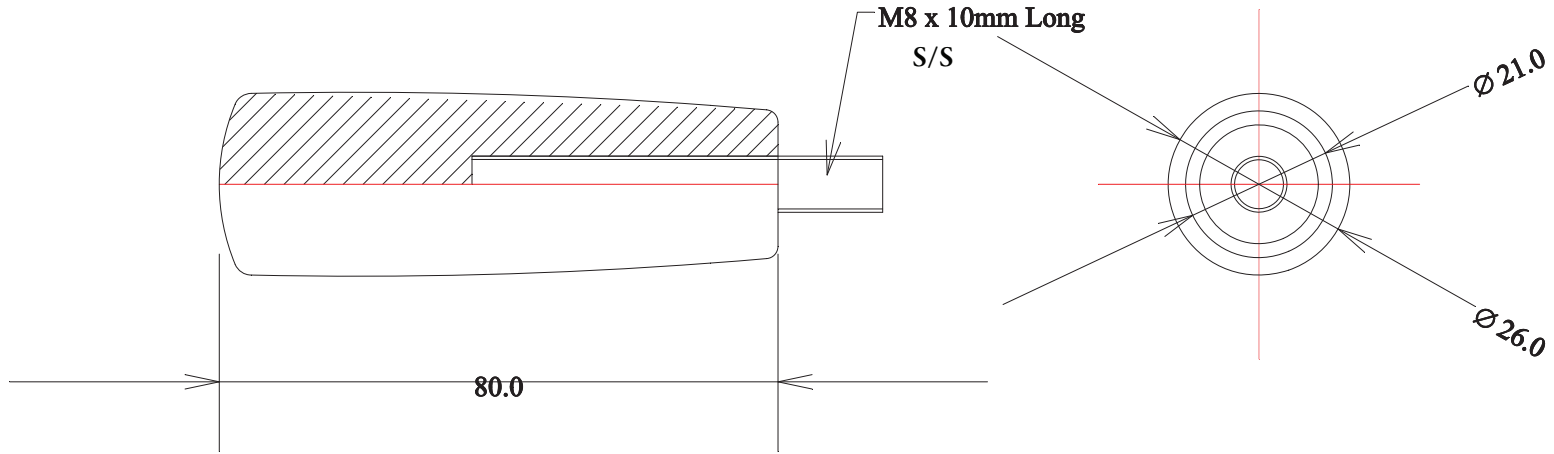




RevNo	Revision note	Date	Signature	Checked
-------	---------------	------	-----------	---------

A
B
C
D
E
F

A
B
C
D
E
F



ItemRef	Quantity	Title	Article No./Reference		
Designed by	Checked by	Approved by - date	Filename	Date	Scale
				09/06/10	
			RS 7093315		
				Edition	Sheet
				1	1/1

1 2 3 4 5 6 7 8