

## Features

- Rated currents 150A
- 3 phase filter with standard attenuation
- Voltage rating 300 and 520VAC for world wide acceptance
- Protection against interference of voltage.

## RS PRO EMI FILTER

RS Stock No.:2378747, 2378748



RS PRO Professionally Approved Products bring to you professional quality parts across all product categories. Our product range has been tested by engineers and provides a comparable quality to the leading brands without paying a premium price.

## Product Description

- For photovoltaic systems and industrial applications
- Three-phase motor drives
- UPS/SMPS
- Industrial automation equipment

## General Specifications

Protection against interference of voltage.  
 YX81 filters provide a broadband common and differential-mode attenuation performance, it still can be available when the interference is larger.  
 Customized products according to customer's requirements

## Mechanical Specifications

Size	350X135X135mm (L X W X H)
Weight	3.5kgs

## Electrical Specifications

FUHX'Jc`HJ[ Y'A UI "	300/520J 57
CdYfUH]b[ 'ZYei YbWñ	) \$# \$<n'
FUHX'W ffYbHg'	% \$5
<]dchFU]b[ '	@B. %45\$J 87ž#@B!; . 2250J 87

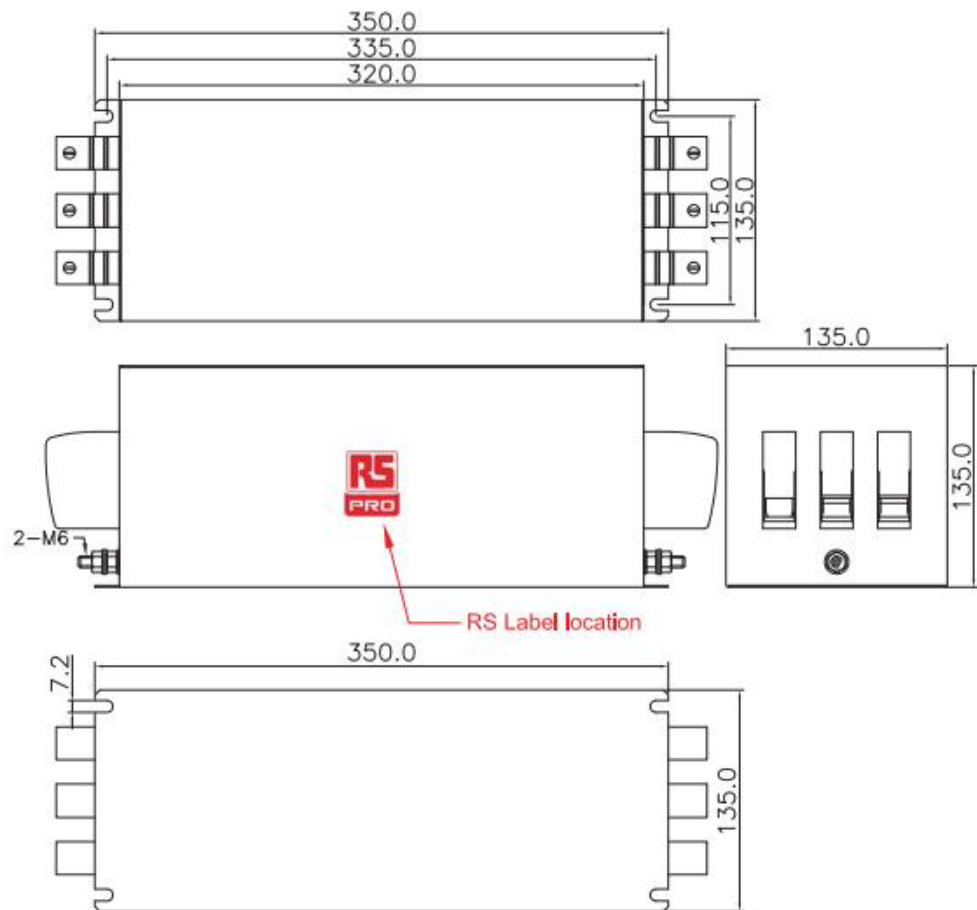
## Protection Category

according to IEC 60529	IP40
------------------------	------

## Approvals

Declarations	CE
Standards Met	IEC/EN 60939

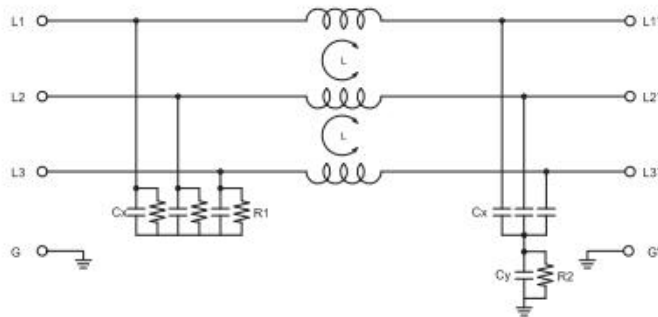
## Physical Dimensions



Applicable wire
Flex wire:10~50mm <sup>2</sup>
Solid wire:10~50mm <sup>2</sup>
Torque:6Nm
Stripping Length:24mm

0 ~ 10	±0.3
10 ~ 100	±0.5
100 ~ 150	±0.8
150 ~ 200	±1.0

## Electrical Schematic



## Insertion loss table (In 50ohm system according IEC/CISPR No.17)

———— Common mode      - - - - - Differential mode

**150A**

