

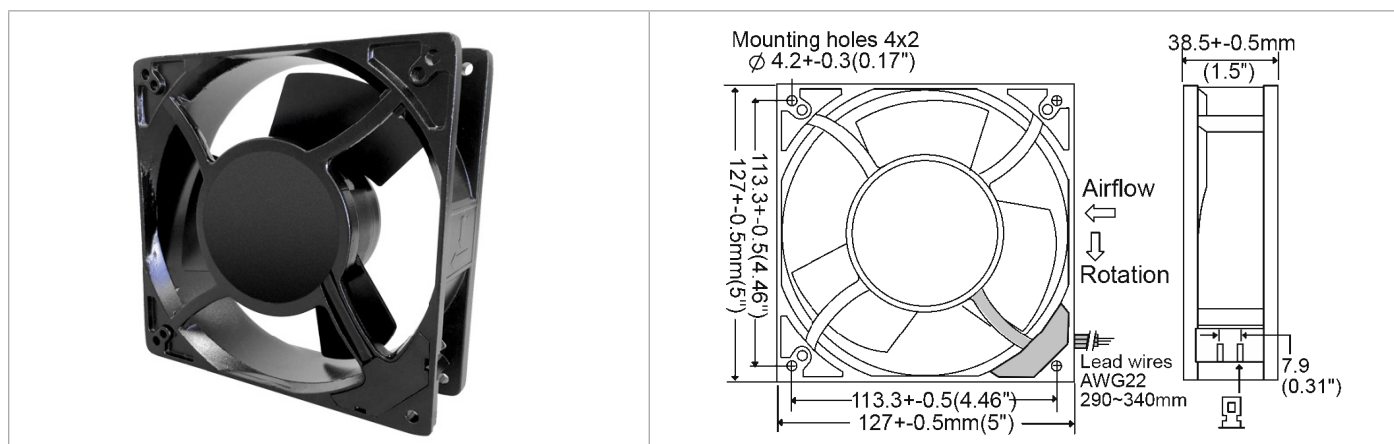


Datasheet

RS PRO AC AXIAL FAN 230VAC 120×120×38mm IP55 METAL

Stock number: 175-9801

EN



Frame	Diecast Aluminum	Operating Temperature	
Impeller	Metal Alloy	Ball Bearing	
Connection	2x Lead Wires 22 AWG	-30C ~ +80C (non-condensing)	
Motor	Shaded pole, impedance protected	Storage Temp	
Bearing System	Dual ball bearing	-40C ~ +100C	
Insulation Resistance	>100M ohm between lead-wire and frame (500VDC)	Life Expectancy	
Dielectric Strength	1 min at 1500 VAC, 50/60Hz	Ball Bearing	
		50,000 hours (L10 at 55C)	
		Environmental Protection	
		IP55	
		Weight: ~ 0.635 kg (1.4 lbs)	
		m2	

Model Number	175-9801
Part Number	
Speed (RPM)	2600 / 2950
Airflow (CFM)	110 / 128
Noise Level (dB)	48
Volts	230
Voltage Range	200-240
Watts	29 / 26
Max. Static Pressure	0.27"/0.29" H ₂ O
Curves	2 (50Hz) / 1 (60Hz)