

1

2

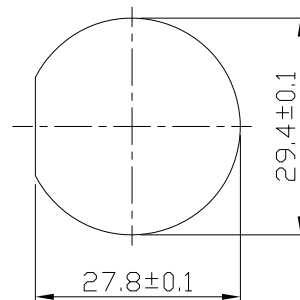
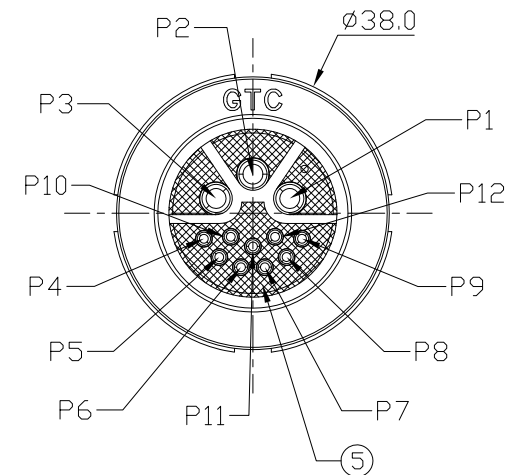
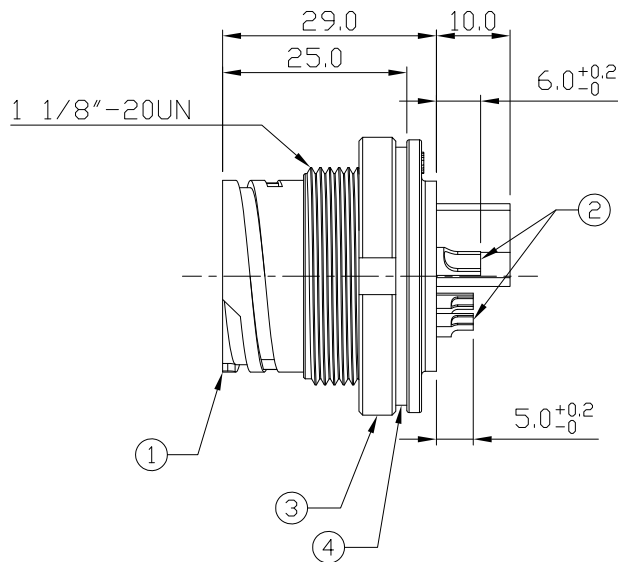
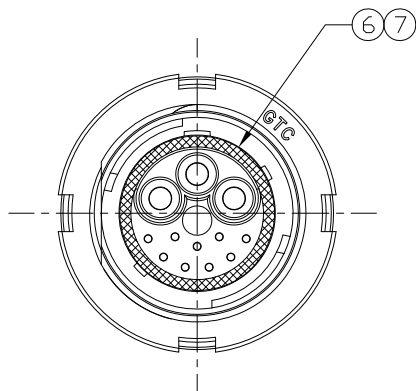
3

4

Notes: (Unless Otherwise Specified)

1. Waterproof Rate: IP67.
2. Recommend Panel Thickness: 0.8 to 4.0 mm.
3. Recommend Torque: 24.0~25.0 Kgf-cm.
4. RoHS Compliant.

REV	ECN#	DESCRIPTION OF REVISION	DRAW BY DATE	CHECK BY DATE	APPROVE BY DATE
A0	ECN-121120	Mass Production	Lucas 11/22/12	Lucas 11/22/12	Ray 11/22/12



Recommend
Panel Cut-Out

Item	Part Name	Material / Finish	Q'ty
7	Glue	MIXBON 424 Color: Clean	
6	O-Ring	Silicone Color: Red	1
5	Glue	Epoxy Color: Black	
4	Gasket	Silicone Color: Black	1
3	Spanner Nut	Thermoplastic Color: Black	1
2	Contacts	Copper Alloy Finish: Gold Flash	12
1	Housing	Thermoplastic Color: Black	1

TITLE						Mating Part No.			REV.
Hybrid C5 20A+5A 3P+9P Panel Male Solder Twist Lock						179-7950			A0
DO NOT SCALE DRAWINGS	B	1:1	Lucas 04/05/12	Lucas 04/05/12	Ray 04/05/12	X.X ± 0.5 X.XX ± 0.2	X.XXX ± 0.05 ANGLES ± 1°	mm	1/1
THIRD ANGLE PROJECTION	SIZE	SCALE	DRAW / DATE	CHECK / DATE	APPROVE / DATE	TOLERANCES		UNIT	SHEET

Part No.
179-7949
Cap:
179-7955



1

2

3

4