



ENGLISH

**Product Datasheet**

**Anti-Vandal Switch**

**Switch Pushbutton Stainless 12mm Maintained**

**Stock No:111-6525**



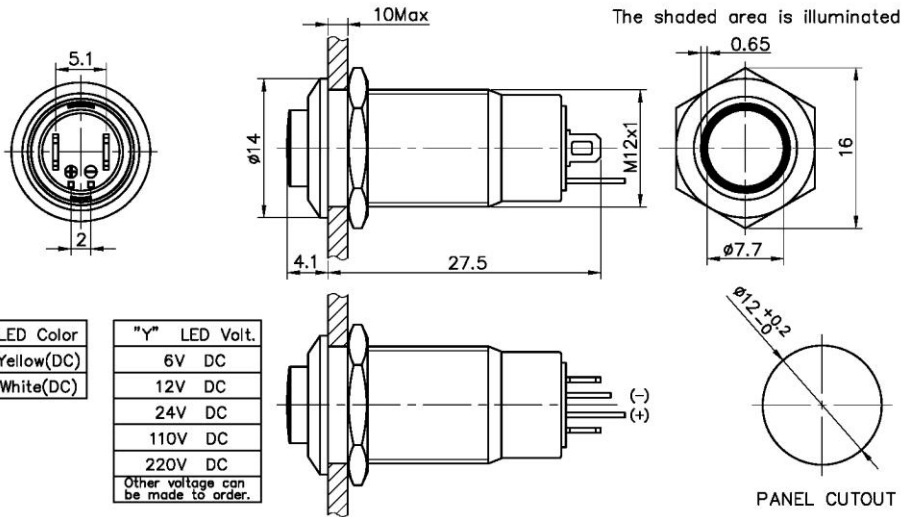
**Package Contain:**

- 1 x Anti-Vandal Switch
- 1 x Hex Nut
- 1 x O-Ring

**Specification:**

|                            |  |  |
|----------------------------|--|--|
| SWITCH TYPE:               |  | 1116525  |
| POLES/THROWS:              |  | SPST   |
| SWITCH FUNCTIONS:          |  | OFF-ON   |
| ELECTRICAL CHARACTERISTICS | CONTACT RATING:  | MAX. 1Amps @ 36VDC   |
|                            | ELECTRICAL LIFE:   | 50,000 make-and-break cycles at full load  |
|                            | CONTACT RESISTANCE:  | 50m-ohms max. initial @ 2-4VDC, 100mA  |
|                            | INSULATION RESISTANCE:   | Apply 500VDC for 1min±5sec. After which measurement to be made b/w terminals shall result 1,000M-ohms min.             |
|                            | DIELECTRICAL STRENGTH:   | 1,500VAC (50Hz-60Hz) RMS @ sea level shall result no damage to parts arcing or flashover                               |
|                            | OPERATING TEMPERATURE:   | -20Celsius degree to +55Celsius degree   |
| RELIABILITY PERFORMANCE    | MECHANICAL LIFE:   | Without load, 50,000cycles min.  |
|                            | TORQUE:  | 0.6Nm max. applied to nut  |
|                            | PANEL THICKNESS:   | 10mm max.  |
|                            | OPERATING FORCE:   | 3.5N max.  |
|                            | OPERATING TRAVEL:  | 2.5+/-0.2mm  |
|                            | IP PROTECTION CLASS:   | Front panel protection to IP40   |
|                            | IMPACT RESISTANCE:   | IK08   |
|                            | SOLDERING HEAT RESISTANCE:   | Max soldering temperature @ 260Celsius degree, immersion time 5+/-1sec, frequency of soldering process @ 2 times max.  |
|                            | COLD TEST:   | Stored at temperature -20(+/-3)Celsius degree for 48 hours, shall result no changes to switch's electrical performance |
|                            | HOT TEST:  | Stored at temperature +55(+/-3)Celsius degree for 48 hours, shall result no changes to switch's electrical performance |
| HUMIDITY TEST:             | Stored at temperature 40(+/-3)Celsius degree with relative humidity 90%~95% for 48 hours, shall result no changes to switch's electrical performance |  |

|                                     |                       |   |
|-------------------------------------|-----------------------|---|
| MATERIAL CHARACTERISTICS            | BUTTON:               | B42 : Stainless steel with varnished polished   |
|                                     | BUSHING:              |   |
|                                     | BASE:                 | PA  |
|                                     | PLUNGER:              | POM   |
|                                     | SPRING:               | Steel wire  |
|                                     | CONTACT:              | Copper alloy, silver plated   |
|                                     | TERMINALS:            | Brass, silver plated  |
|                                     | HARDWARE:             | Nut (Brass, nickel plated)  |
|                                     | LED:                  | Yellow, (DC)<br>Voltage & Rating: 24V @ 15mA<br>With an outer resistor  |
| SOLDERING & CLEANING RECOMMENDATION | HAND SOLDERING:       | Max. temperature @ 320Celsius degree (608F)with continuous soldering time @ 2sec. max.  |
|                                     | CLEANING PROCESS:     | Noted, the switch is “not totally sealed” so it is important not to immerse/spray or clean unsealed areas of the switch during flux removal. Improper cleaning could cause switch deficiencies such as intermittence or open contact failures |
| PACKAGE                             | INTERNAL PACKAGING:   | 1pcs per PE bag   |
|                                     | RoHS IDENTIFICATIONS: | A label marking “RoHS compliant” will be attached to the carton box.  |



| "X" | LED Color  |
|-----|------------|
| Y   | Yellow(DC) |
| W   | White(DC)  |

| "Y"                                 | LED Volt. |
|-------------------------------------|-----------|
|                                     | 6V DC     |
|                                     | 12V DC    |
|                                     | 24V DC    |
|                                     | 110V DC   |
|                                     | 220V DC   |
| Other voltage can be made to order. |           |

