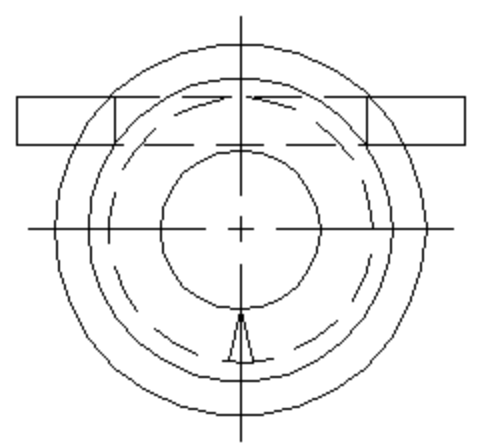
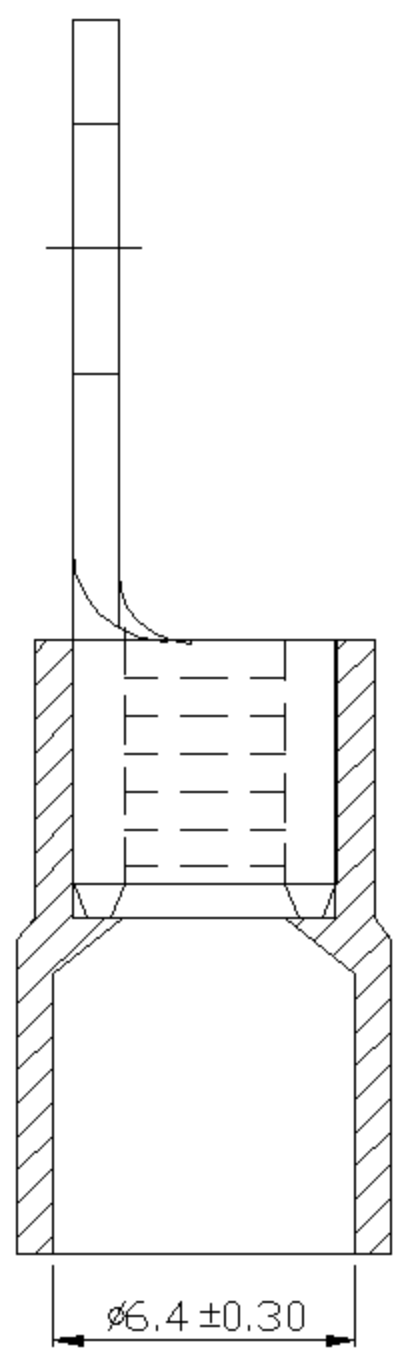
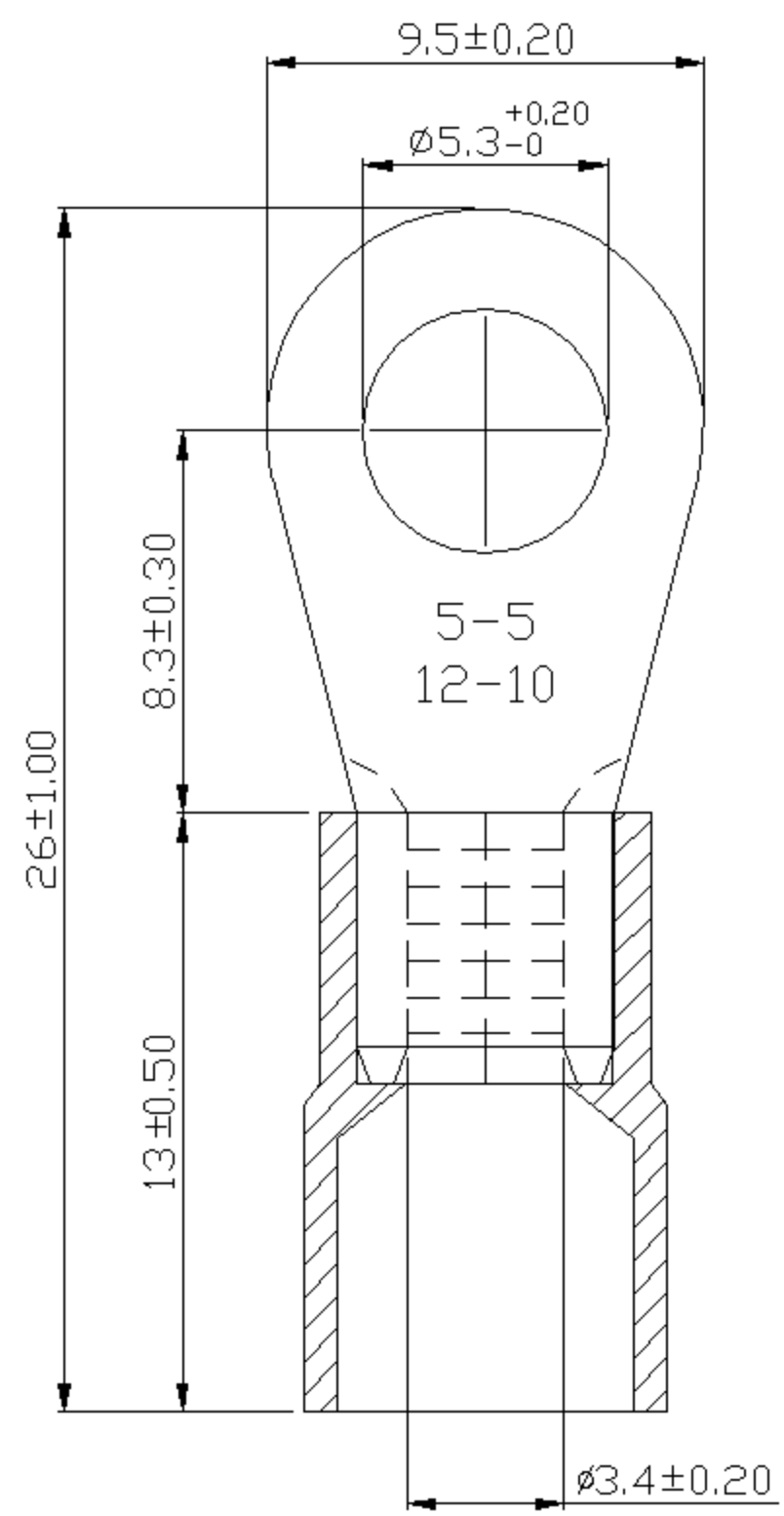


| REV | DESCRIPTION | DATE |
|-----|-------------|------|
|-----|-------------|------|



NOTE:

1. MAXIMUM ELECTRIC CURRENT :

| | | | |
|--------|----|----|--|
| A.W.G. | 12 | 10 | |
| AMP. | 35 | 50 | |
2. MAXIMUM ELECTRICAL RATING : 75°C 600 VOLTS MAX.
3. INSULATION MATERIAL : VINYL
4. INSULATION COLOR : YELLOW
5. TERMINAL MATERIAL : COPPER
6. WIRE RANGE : 12-10 A.W.G.(4-6 mm²)
7. TERMINALS SURFACE TREATMENT : TIN PLATED
8. TERMINALS THICKNESS : 1.00 mm

| Tolerance Unless Otherwise Specified | |
|--------------------------------------|----------|
| 0 > 6 mm ± 0.20 | ANGLE |
| 6 > 18 mm ± 0.30 | 0° REF ± |
| 18 > 30 mm ± 0.40 | ± |
| 30 > 75 mm ± 0.50 | ± |

| | | | | | | |
|----------|--|----------|-------|---------|---------|-----|
| NAME | VINYL-INSULATED(MOLDED) RING TERMINALS | | | UNIT | 個 | |
| PART NO. | RVY5-5@ | MATERIAL | ----- | APPROVE | | |
| NUMBER | KA-951019-C | SCALE | SHEET | PAGE | CHECKED | |
| DATE | 2006/08/30 | 4/1 | 1-0 | 20F2 | DRAWN | 張馨尹 |

