

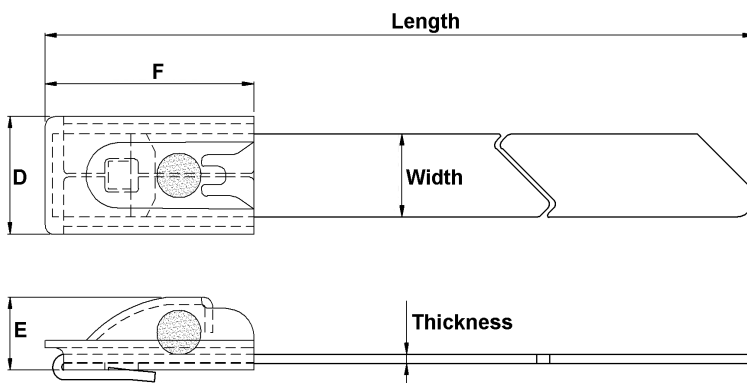
Stainless Steel Ties with Ball Lock **multicomp** PRO



Specifications

Type : Cable Tie with Ball Lock
 Material : 316 Stainless Steel
 Temperature Resistance : -112°F to 1000°F (-80°C to 538°C)
 Resistance against Chemicals : Acid and Alkali Resistant

Diagram



Dimensions

Part Number	Bundle Dia. Max		Length mm	Width mm	Thickness mm	D mm	E mm	F mm	Min Loop Tensile Strength	
	mm	Inches							kg	lbs
PP002267	20	0.787	125	4.5	0.3	6.3	4.1	10.8	45.4	100
PP002268	25	0.984	152							
PP002269	50	1.96	200							
PP002270	60	2.36	250							
PP002271	75	2.95	300							
PP002272	102	4.01	360							
PP002273	108	4.3	400							
PP002274	140	5.5	500							
PP002275	152	5.98	520							
PP002276	203	7.99	680							
PP002277	254	10	840							
PP002278	318	12.5	1050							
PP002279	25	0.984	152	8		10	5.15	15	113.4	250
PP002280	50	1.96	200							
PP002281	60	2.36	250							

Newark.com/multicomp-pro
 Farnell.com/multicomp-pro
 Element14.com/multicomp-pro

multicomp PRO

Stainless Steel Ties with Ball Lock **multicomp**PRO

Part Number	Bundle Dia. Max		Length mm	Width mm	Thickness mm	D mm	E mm	F mm	Min Loop Tensile Strength	
	mm	Inches							kg	lbs
PP002282	75	2.95	300	8	0.3	10	5.15	15	113.4	250
PP002283	102	4.01	360							
PP002284	152	5.98	520							
PP002285	203	7.99	680							
PP002286	254	10	840							
PP002287	318	12.5	1050							
PP002288	73	2.9	290	12	0.4	16	6.2	15.4	270	595
PP002289	95	3.7	360							
PP002290	115	4.5	430							
PP002291	145	5.7	520							
PP002292	170	6.7	600							
PP002293	195	7.7	680							
PP002294	219	8.6	750							
PP002295	248	9.8	840							
PP002296	270	10.6	910							
PP002297	299	11.8	1000							
PP002298	321	12.6	1070							
PP002299	351	13.8	1200							

Part Number Table

Description	Part Number
Stainless Steel Tie with Ball Lock, 125mm, 45.4kg / 100lb.	PP002267
Stainless Steel Tie with Ball Lock, 152mm, 45.4kg / 100lb.	PP002268
Stainless Steel Tie with Ball Lock, 200mm, 45.4kg / 100lb.	PP002269
Stainless Steel Tie with Ball Lock, 250mm, 45.4kg / 100lb.	PP002270
Stainless Steel Tie with Ball Lock, 300mm, 45.4kg / 100lb.	PP002271
Stainless Steel Tie with Ball Lock, 360mm, 45.4kg / 100lb.	PP002272
Stainless Steel Tie with Ball Lock, 400mm, 45.4kg / 100lb.	PP002273
Stainless Steel Tie with Ball Lock, 500mm, 45.4kg / 100lb.	PP002274
Stainless Steel Tie with Ball Lock, 520mm, 45.4kg / 100lb.	PP002275
Stainless Steel Tie with Ball Lock, 680mm, 45.4kg / 100lb.	PP002276
Stainless Steel Tie with Ball Lock, 840mm, 45.4kg / 100lb.	PP002277

Stainless Steel Ties with Ball Lock **multicomp** PRO

Description	Part Number
Stainless Steel Tie with Ball Lock, 1.05m, 45.4kg / 100lb.	PP002278
Stainless Steel Tie with Ball Lock, 152mm, 113.4kg / 250lb.	PP002279
Stainless Steel Tie with Ball Lock, 200mm, 113.4kg / 250lb.	PP002280
Stainless Steel Tie with Ball Lock, 250mm, 113.4kg / 250lb.	PP002281
Stainless Steel Tie with Ball Lock, 300mm, 113.4kg / 250lb.	PP002282
Stainless Steel Tie with Ball Lock, 360mm, 113.4kg / 250lb.	PP002283
Stainless Steel Tie with Ball Lock, 520mm, 113.4kg / 250lb.	PP002284
Stainless Steel Tie with Ball Lock, 680mm, 113.4kg / 250lb.	PP002285
Stainless Steel Tie with Ball Lock, 840mm, 113.4kg / 250lb.	PP002286
Stainless Steel Tie with Ball Lock, 1.05m, 113.4kg / 250lb.	PP002287
Stainless Steel Tie with Ball Lock, 290mm, 270kg / 595lb.	PP002288
Stainless Steel Tie with Ball Lock, 360mm, 270kg / 595lb.	PP002289
Stainless Steel Tie with Ball Lock, 430mm, 270kg / 595lb.	PP002290
Stainless Steel Tie with Ball Lock, 520mm, 270kg / 595lb.	PP002291
Stainless Steel Tie with Ball Lock, 600mm, 270kg / 595lb.	PP002292
Stainless Steel Tie with Ball Lock, 680mm, 270kg / 595lb.	PP002293
Stainless Steel Tie with Ball Lock, 750mm, 270kg / 595lb.	PP002294
Stainless Steel Tie with Ball Lock, 840mm, 270kg / 595lb.	PP002295
Stainless Steel Tie with Ball Lock, 910mm, 270kg / 595lb.	PP002296
Stainless Steel Tie with Ball Lock, 1m, 270kg / 595lb.	PP002297
Stainless Steel Tie with Ball Lock, 1.07m, 270kg / 595lb.	PP002298
Stainless Steel Tie with Ball Lock, 1.2m, 270kg / 595lb.	PP002299

Important Notice : This data sheet and its contents (the "Information") belong to the members of the AVNET group of companies (the "Group") or are licensed to it. No licence is granted for the use of it other than for information purposes in connection with the products to which it relates. No licence of any intellectual property rights is granted. The Information is subject to change without notice and replaces all data sheets previously supplied. The Information supplied is believed to be accurate but the Group assumes no responsibility for its accuracy or completeness, any error in or omission from it or for any use made of it. Users of this data sheet should check for themselves the Information and the suitability of the products for their purpose and not make any assumptions based on information included or omitted. Liability for loss or damage resulting from any reliance on the Information or use of it (including liability resulting from negligence or where the Group was aware of the possibility of such loss or damage arising) is excluded. This will not operate to limit or restrict the Group's liability for death or personal injury resulting from its negligence. Multicomp Pro is the registered trademark of Premier Farnell Limited 2019.

Newark.com/multicomp-pro
 Farnell.com/multicomp-pro
 Element14.com/multicomp-pro

multicomp PRO