



Main

| | |
|-----------------------------|--|
| Range of product | Easy Modicon ABL2 |
| Product or component type | Power supply |
| Power supply type | Regulated switch mode |
| Rated power in W | 156 W |
| Main Input Voltage | 100...120 V AC single phase 200...240 V |
| Output voltage | 24 V DC |
| Power supply output current | 6.5 A |
| Operating position | Any position |
| Vibration resistance | 4 gn (f= 10...500 Hz) conforming to IEC 61131-2 |
| Name of test | Electromagnetic hypersensitivity (EHS) conforming to IEC 61000-6-2 level A |

Complementary

| | |
|---------------------------------|--|
| Input voltage limits | 176...264 V 88...132 V |
| Network frequency | 47...63 Hz |
| Inrush current | 60 A at 100...120 V AC 60 A at 200...240 V AC |
| Cos phi | 0.45 |
| Efficiency | 89 % |
| Power dissipation in W | 19.3 W |
| Current consumption | 1.5 A at 240 V |
| Input protection type | Integrated fuse (not interchangeable) |
| Output voltage limits | 20.4...27.6 V |
| Line and load regulation | +/- 1 % |
| Holding time | >= 35 ms at 115 V |
| Output protection type | Against overload, protection technology: 1.1...1.5 x In Against short-circuits, protection technology: 1.1...1.5 x In Against overvoltage, protection technology: 28.8...33.6 V Thermal |
| Connections - terminals | For ground connection: screw type terminals, connection capacity: 1 x 4 mm ² AWG 12 |
| Marking | CE |
| Electromagnetic compatibility | Immunity to electromagnetic interference conforming to EN 55022 class B |
| Mounting support | DIN rail with accessory Panel mounting with accessory |
| Operating altitude | 5000 m |
| Output coupling | Series |
| Overvoltage category | II |
| Meantime between failure [MTBF] | 600000 h at 25 °C |
| Status LED | 1 LED (green) output voltage |
| Width | 159 mm |
| Height | 97 mm |
| Depth | 30 mm |
| Net weight | 0.44 kg |

Environment

| | |
|---------------------------------------|---|
| Product certifications | EAC[RETURN]IC[RETURN]RoHS[RETURN]KC[RETURN]RCM |
| IP degree of protection | IP20 conforming to IEC 62368-1 |
| Ambient air temperature for operation | -30...70 °C (with power derating of 2 % per °C) |
| Ambient air temperature for storage | -40...85 °C |
| Relative humidity | 10...95 % |
| Overvoltage category | Class I conforming to IEC 62368-1 |
| Pollution degree | 2 |
| Dielectric strength | 2000 V between input and ground |

Packing Units

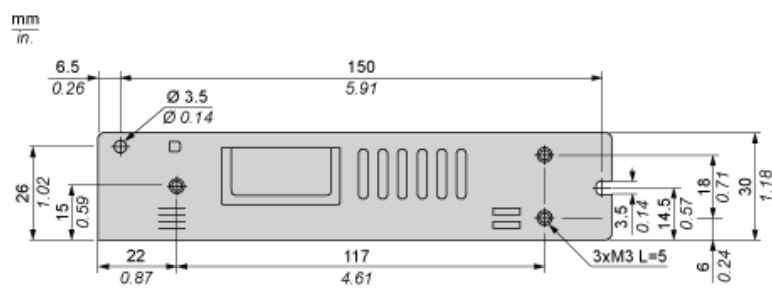
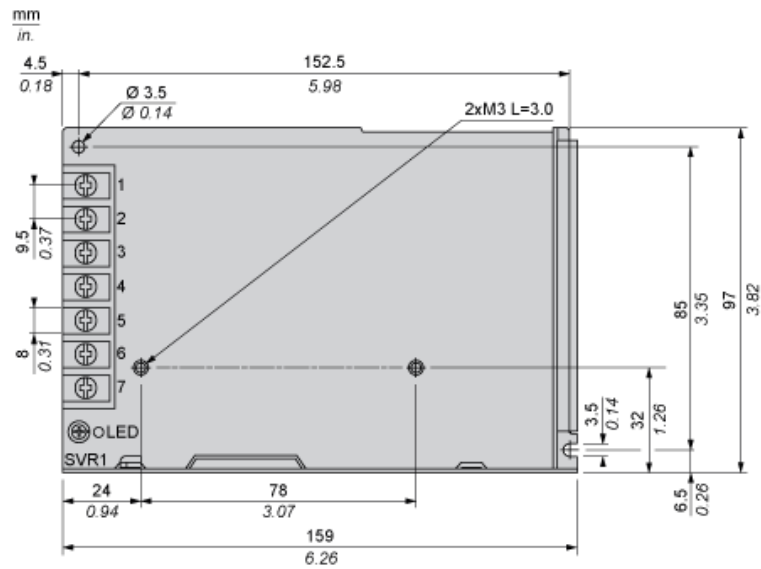
| | |
|------------------------------|-----------|
| Unit Type of Package 1 | PCE |
| Number of Units in Package 1 | 1 |
| Package 1 Height | 3.589 cm |
| Package 1 Width | 10.33 cm |
| Package 1 Length | 16.664 cm |
| Package 1 Weight | 440.0 g |
| Unit Type of Package 2 | S03 |
| Number of Units in Package 2 | 35 |
| Package 2 Height | 30.0 cm |
| Package 2 Width | 30.0 cm |
| Package 2 Length | 40.0 cm |
| Package 2 Weight | 16.47 kg |

Offer Sustainability

| | |
|----------------------------|--|
| REACH Regulation | REACH Declaration |
| REACH free of SVHC | Yes |
| EU RoHS Directive | Pro-active compliance (Product out of EU RoHS legal scope) |
| China RoHS Regulation | China RoHS Declaration |
| RoHS exemption information | Yes |

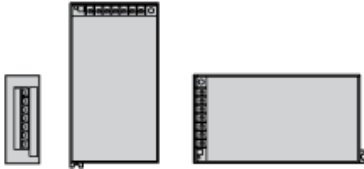
Dimensions Drawings

Mechanical Dimensions



Mounting and Clearance

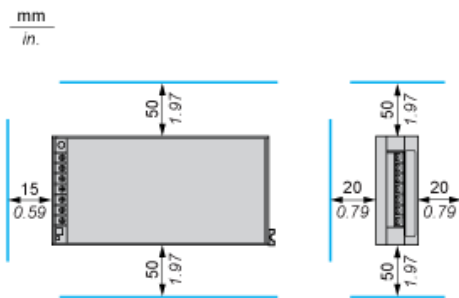
Vertical Mounting



Horizontal Mounting

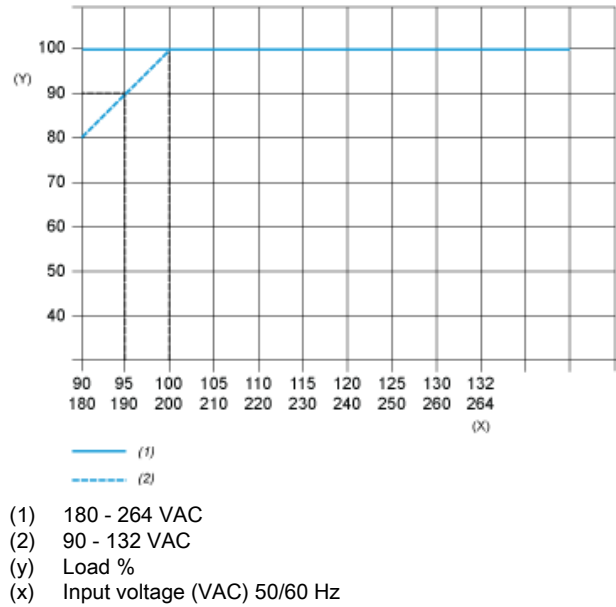


Clearance



Performance Curves

Static Characteristics



Derating Curve

