

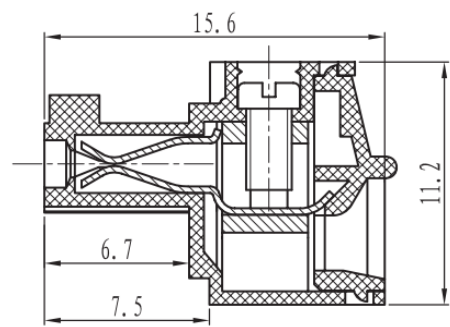
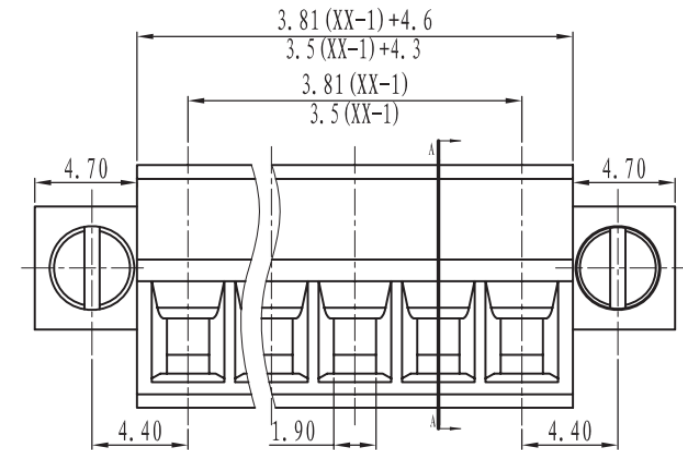
Datasheet

New 3.81mm Plug with Flange 8A 8 Way

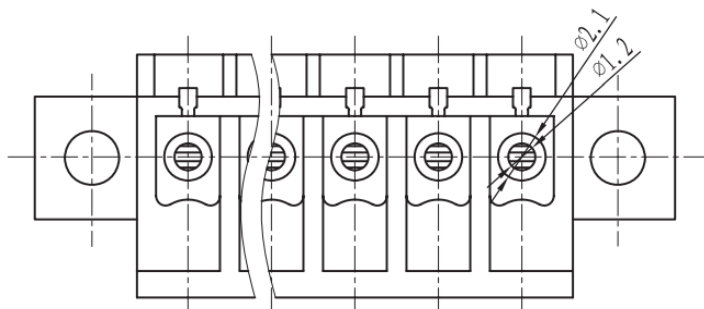
RS Stock 874-5082



Dimensions: (mm)



SECTION A-A





Specifications

Electrical

Standard: UL IEC
 Rated voltage: 300V 250V
 Rated current: 8A 10A
 Contact resistance: 20mΩ
 Wire range: 28-16AWG 1.5mm²
 Withstanding voltage: AC2000V/1Min
 Insulation resistance: 500MΩ/DC500V

Mechanical

Temp.Range: -40° C~+105° C
 Torque: 0.2Nm(1.71lb`in)
 Strip length: 6-7mm

Dimensions

Pitch: 3.81mm/3.5mm
 Poles: 2P-24P

Material

Housing: PA66, UL94V-0
 Screws: M2, steel Zinc plated
 Wire guard: Brass, Ni plated
 Clamp: Phosphor bronze, Ni plated

Tolerances Except As Noted

variable range	linear dimension					fillet	chamfer		∠ short angle sid				≡	—	□	//	⊥		
	to	over	over	over	over		to	over	to	over	over	over						to	over
to 6	± 0.1	6 to 30	± 0.2	30 to 120	± 0.3	120 to 480	± 0.5	all	to 6	to 10	to 30'	to 10'	to 10'	to 10'	to 0.5	to 0.025	to 0.06	to 0.12	to 0.4