

## FEATURES

- All Fluids compatible
- Mechanical resistance
- Silicon free

# RS PRO TAPER NIPPLE (3 PIECES)

RS Stock No.: 2312532



RS PROfessionally Approved Products bring to you professional quality parts across all product categories. Our product range has been tested by engineers and provides a comparable quality to the leading brands without paying a premium price.

## Product Description

The RS PRO taper nipple (3 pieces) mainly used in compressed air, pneumatic automation, industrial water circuit applications. High performances in pressure and temperatures (+300°C). Available with sharp threads. RoHS and REACH compliant.

## General Specifications

<b>Fitting Type</b>	Nipple
<b>Material</b>	Brass
<b>Fitting Direction</b>	Straight
<b>Application</b>	Compressed Air, Pneumatic Automation, Industrial water circuits, Inert Gases, Fluids, Steam Vacuum

## Mechanical Specifications

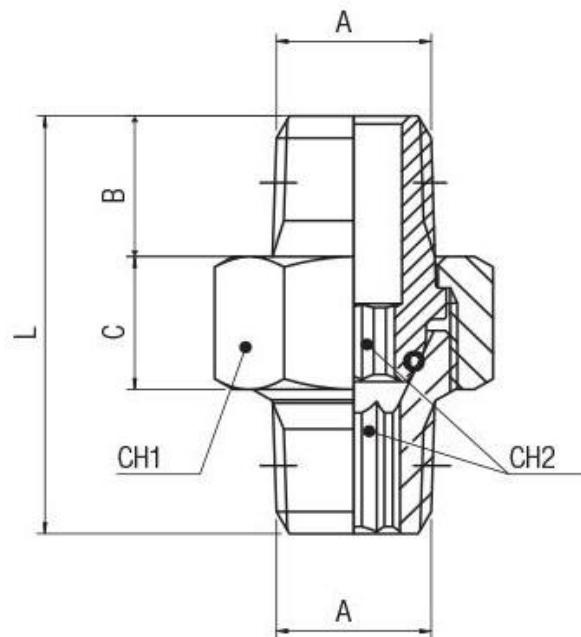
<b>Pipe Fitting Connection Type</b>	Threaded
<b>Connection 1</b>	1/4 in BSPP Male
<b>Connection Gender 1</b>	Male
<b>Thread Size 1</b>	1/4 in
<b>Thread Standard 1</b>	BSPP
<b>Connection 2</b>	1-1/4 in BSP Male
<b>Connection Gender 2</b>	Male
<b>Thread Size 2</b>	1-1/4 in
<b>Thread Standard 2</b>	BSP
<b>Length</b>	33.5mm
<b>Wrench Size</b>	19mm

## Operation Environment Specifications

Temperature	<b>Min.</b>	<b>Max.</b>
	- 20°C	+80°C

## Similar Products

Parameters	2312533	2312534
Brand	RS PRO	RS PRO
Pipe Fitting Connection Type	Threaded	Threaded
Connection 1	3/8 in BSP Male	1/2 in BSP Male
Connection Gender 1	Male	Male
Thread Size 1	3/8 in	1/2 in
Thread Standard 1	BSP	BSP
Connection 2	3/8 in BSP Male	1/2 in BSP Male
Connection Gender 2	Male	Male
Thread Size 2	3/8 in	1/2 in
Thread Standard 2	BSP	BSP
Length	36.5mm	45mm
Wrench Size	22mm	27mm



A	B	C	D	L	CH1	CH2	Pack
11.5	9.5	11	33.5	19	6	15	10