

NEXTSPEED®

Jacks

# HUBBELL

## Xcelerator Category 6 Jack

### Features

- Third Party Verified Category 6 Component Compliant
- Exclusive 1-Punch Termination Reduces Termination Time by 75%
- Mating Cycles Exceed Industry Standard by Four Times

### Ordering Information

Description	Color	Catalog No.	UPC
NEXTSPEED Xcelerator Category 6 Component Jack, 24 Jacks	Red	HXJ6R24	662620663883

### Listings

ANSI/TIA/EIA-568-C.2 Category 6 component  
 ISO 11801/60603-7-41 Category 6 component  
 Mechanical: Verified to TIA-568-C.2  
 UL Listed 1863  
 Mechanical TIA-568-C.2  
 CSA Certified  
 RoHS Compliant

### Specifications

Nose Contact	Beryllium copper with precious metal plating over nickel under plating
IDC Contact	Phosphor bronze with 100 micro-inch tin lead 60/40 plating over nickel under plating
Housing	High impact thermoplastic (UL 94 V-0)
Stuffer Cap	Lexan® (UL 94 V-0)

### Performance

#### Electrical

Center balanced to Category 6 plug specifications  
 Positive PSACR beyond 300 MHz (channel)  
 4+Gbs capacity within the bandwidth of 1-250MHz (channel)  
 Qualified to 150% of 802.3bt PoE Current Level

#### General Information

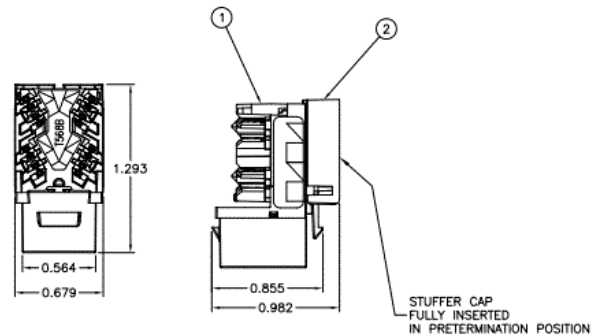
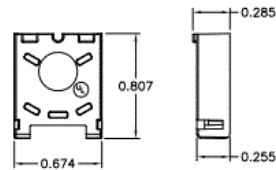
Backward compatible to lower installed Categories  
 Icon Compatible Supporting 606-B requirements  
 100% factory tested

#### Mechanical

Nose Contact Mating Cycles: 2000  
 IDC Contact Termination: 10x  
 Keystone Latching Force: 25 lbs.  
 Contact performance confirmed over the full range of ISO/FCC compliant plug

### Applications

IEEE 802.3ab 1000GBASE-T  
 IEEE 802.3bt 4PPoE Power over Ethernet  
 TIA TSB-155 10GbE Over 55 Meters



### Accessories

1-Punch Tool	<b>TX4P</b>
Category 6 Patch Cord	<b>HC6R03</b>
Dust Cover	<b>HXJDC25</b>
Termination Puck	<b>HXTP25</b>
Category 6 Cable	<b>C6SPB</b>

### Online Resources

eCatalog

