

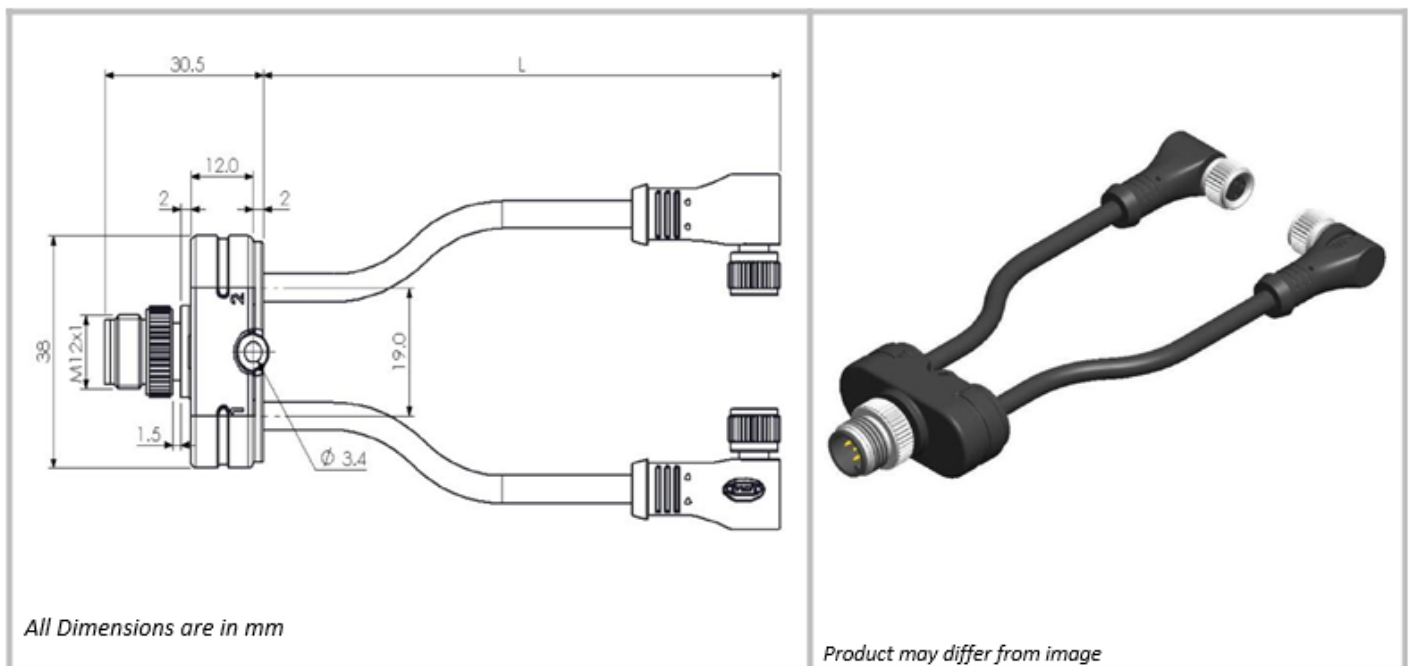


Datasheet

RS PRO Y Splitter

Stock number: 1752507

EN



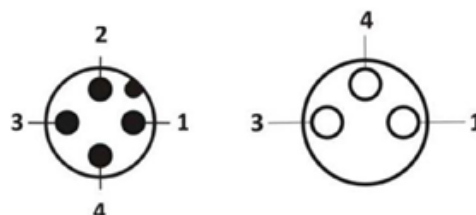
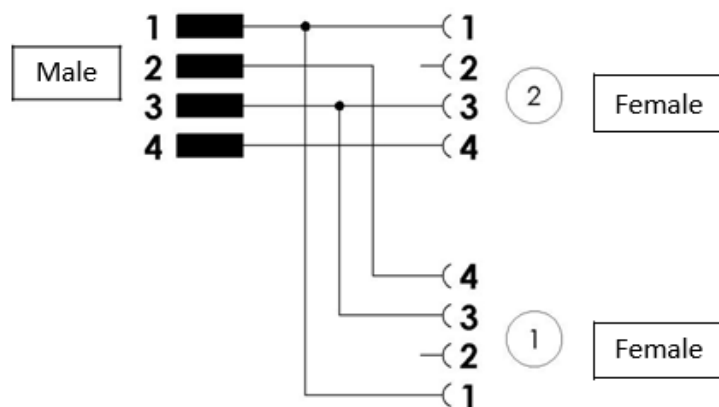
This M12x1, Y-Splitter, 4/4 is suitable for Automation and Control applications and Sensor connectivity.

Technical Specification

	I/P End	O/P 1	O/P 2
Connector	M12, Male	M8, Female	M8, Female
Rated Voltage	60V	60V	60V
Coding	A	A	A
Number of pins	4	3	3
Current (at 40°C)	3A	3A	3A
Contact material	CuZn, Ni/Au (Gold Flash)	CuZn, Ni/Au (Gold Flash)	CuZn, Ni/Au (Gold Flash)
Contact carrier material	Nylon 66	Nylon 66	Nylon 66
Coupling nut material	CuZn, nickel plated	CuZn, nickel plated	CuZn, nickel plated

Insulation resistance	$\geq 10^8 \Omega$
Ambient temperature	-25°C...+85°C
Sealing material	Neoprene
Grip body material	TPU, Black
Shielding	No
Mechanical life-cycle	>100 mating cycles
Degree of protection	IP67
Degree of pollution	3
Standards	IEC 61076-2-101/104
Cable Length L	1m

Electrical connection



rspro.com



