

Datasheet

Miniature Toggle Switch

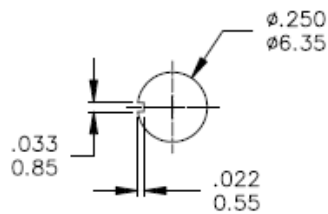
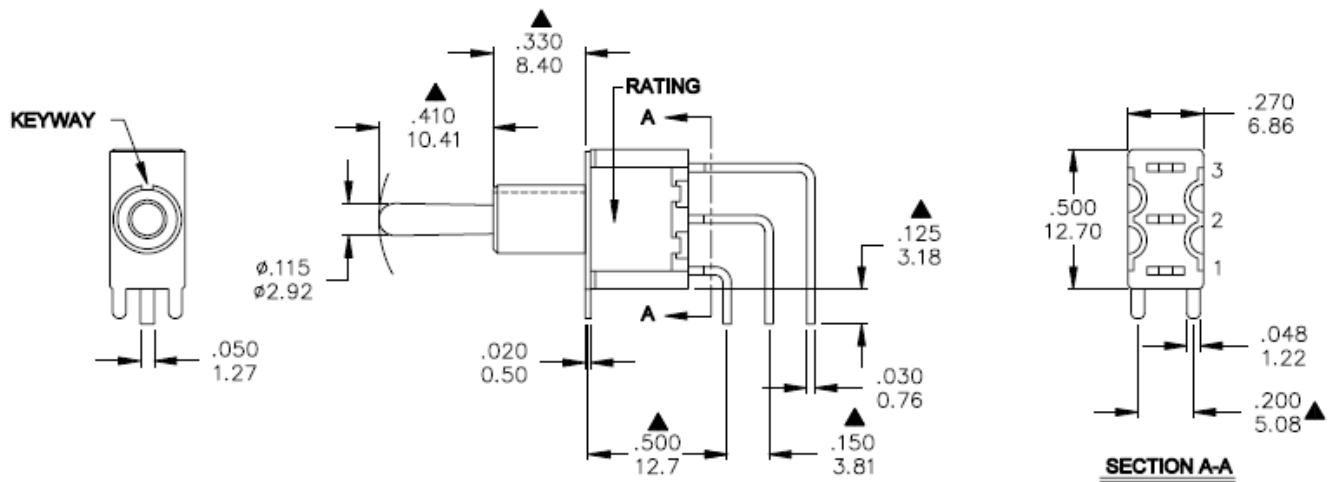
RS Stock number 734-7132



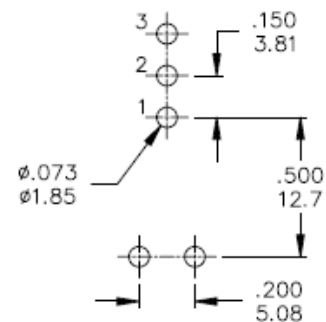
Specifications:

MECHANICAL LIFE:	40,000 make-and-break cycles.
CONTACT RESISTANCE:	10m Ω max. initial @ 2-4VDC 100mA for both silver and gold plated contacts
INSULATION RESISTANCE:	1000M Ω min.
DIELECTRIC STRENGTH:	1,000Vrms min. @ sea level.
OPERATING TEMPERATURE:	-30°C to 85°C.
CASE:	Dially phthalate (DAP) UL94v-0)
ACTUATOR:	Brass, chrome plated
BUSHING:	Brass, nickel plated
HOUSING:	Stainless steel
CONTACT/TERMINAL:	Silver or gold plated
Switch Support:	Brass, tin plated
RoHS:	2002/95/EC

**Dimensions – inch
mm**



PANEL MOUNTING



P.C. MOUNTING

Model No.	POS.1	POS.2	POS.3
1MS3	ON	OFF	ON
Term. Comm.	2-3	OPEN	2-1
SCHEMATIC			

SWITCH FUNCTION