

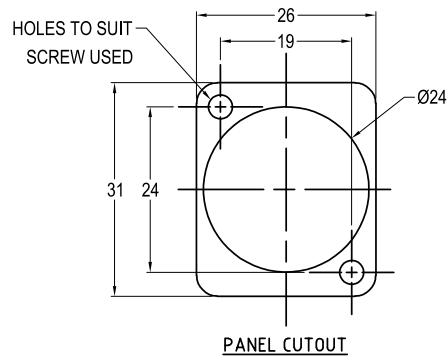
Datasheet

RS PRO 12GHz GOLD BNC FEEDTHROUGH

Stock number: 2035556, 2035555

EN

Our new gold plated BNC connector offers a 4K video standard connector future-proofing broadcast systems and patch panels and offers industrial users a high-reliability, lower contact resistance connector for sensors, instrumentation and test and measurement.



VARIANTS

RS303112G - XRP12 GOLD BNC 75Ω 12GHz, PLASTIC FRAME, CSK HOLE

RS303112GM - GOLD BNC 75Ω 12GHz, NICKEL FRAME, CSK HOLE

RS303112GMB - GOLD BNC 75Ω 12GHz, BLACK METAL FRAME, CSK HOLE

RS30186 - 16 x GOLD BNC 75W 12GHz PANEL, FRONT MOUNTED, M3 HOLES

SPECIFICATION 12GHz BNC

Impedance:	75W
Frequency:	0-18 GHz
Dielectric Withstand Voltage:	1500 Veff
Insulation Resistance:	5000MW
Operating Temperature:	-35°C to +70°C
Contact Retention:	10N min
Mating cycles:	500 cycles

rspro.com

