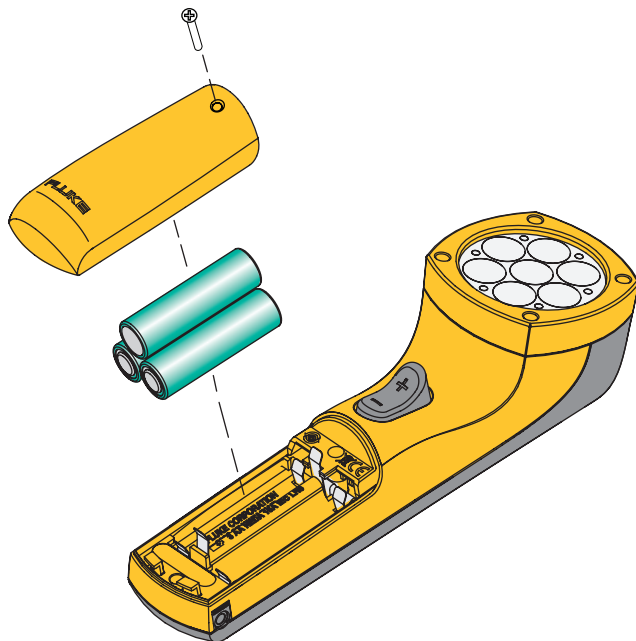




820-2 Stroboscope

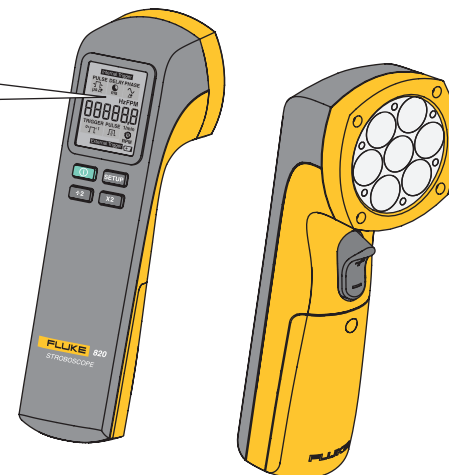
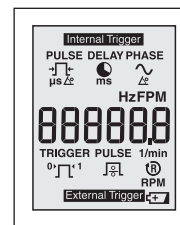
Quick Reference Guide



⚠ Warning

To prevent possible injury read the “820 Safety Sheet” before you use this Product.

Go to www.fluke.com to register your product, download manuals, and find more information.



Basic Operation

1

Internal Trigger

FPM 1000

FLUKE 620 STROBOSCOPE

2

FPM = Flashes/Minute
RPM = Revolutions/Minute

3

$\div 2$ / $\times 2$

Internal Trigger

FPM 2000

FLUKE 620 STROBOSCOPE

Any reference point on shaft.

4

Internal Trigger

FPM 1800

RPM 1800 = FPM 1800

5

Internal Trigger

FPM 1776

RPM 1776 = FPM 1776

6

Internal Trigger

FPM 3552

7

Internal Trigger

FPM 1776

Motor Nameplate

MODEL NO.	
RPM	1800
AMP	
HZ	
SFA	
BRGS	