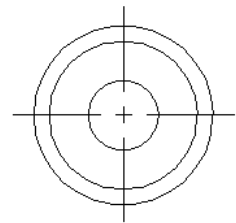
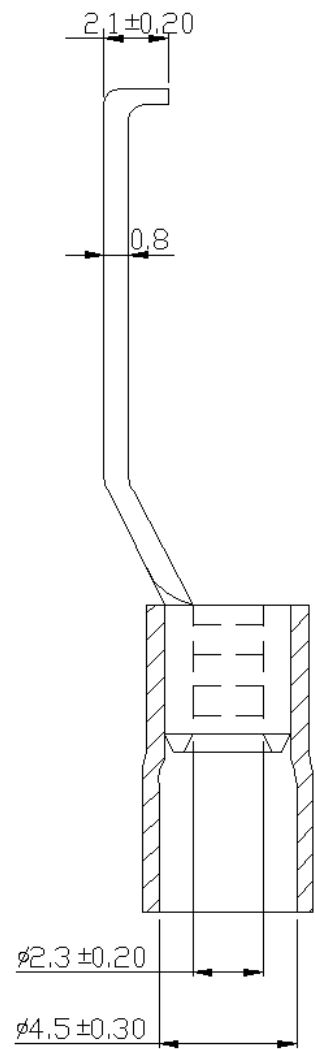
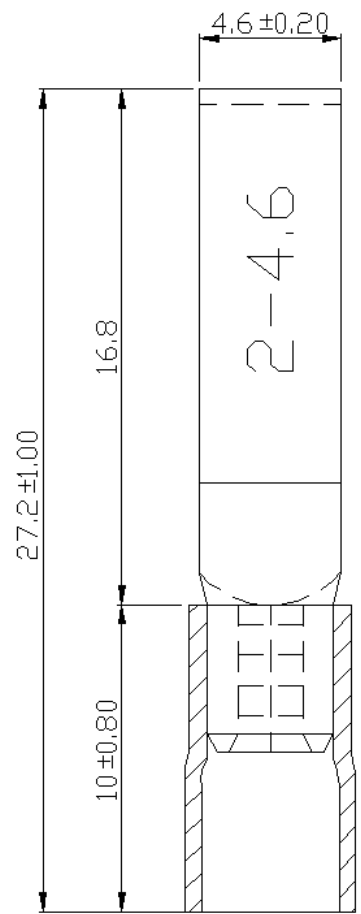


A B C D E F G H

REV	DESCRIPTION	DATE
-----	-------------	------



NOTE :

1. MAXIMUM ELECTRIC CURRENT :

A.W.G.	16	14	
AMP.	18	30	
2. MAXMUM ELECTRICAL RATING : 75°C 600 VOLTS MAX.
3. INSULATION MATERIAL : VINYL
4. INSULATION COLOR : BLUE
5. TERMINAL MATERIAL : COPPER
6. WIRE RANGE : 16-14 A.W.G. (1.5-2.5 mm²)
7. ERMINALS SURFACE TREATMENT : TIN PLATED

Tolerance Unless Otherwise Specified	
0 > 6 mm ± 0.20	ANGLE
6 > 18 mm ± 0.30	0° REF ±
18 > 30 mm ± 0.40	° ±
30 > 75 mm ± 0.50	° ±



NAME	VINYL-INSULATED LIPPED BLADE TERMINALS			UNIT	mm	
PART NO.	LBV2-4.6@	MATERIAL	-----	APPROVE	张馨尹	
NUMBER	KA-95134-C	SCALE	SHEET PAGE	CHECKED	林峰	
DATE	2006/03/24	4/1	1-0 20F2	DRAWN	张馨尹	

A B C D E F G H