

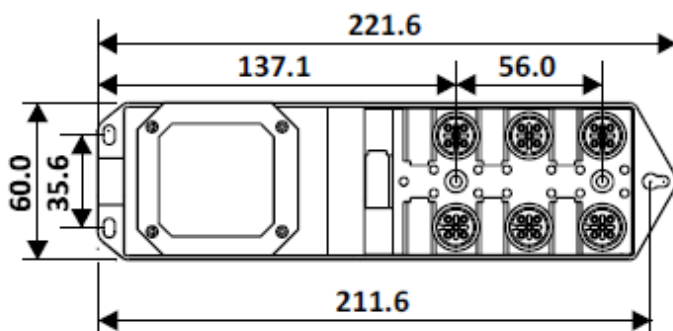
Datasheet

Junction Box With Wire Connection

RS Stock 877-1218

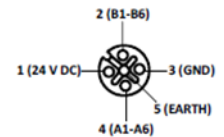


Dimensions: (mm)



Connection Detail

1	A1
2	A2
3	A3
4	A4
5	A5
6	A6
7	B1
8	B2
9	B3
10	B4
11	B5
12	B6
13	24 V DC
14	GND
15	Earth





Specifications

Electrical

Supply	24 V DC \pm 10%
Rated Current	Max. 2A per Port
Total Rated Current	Max. 8A
Connection	Through Terminal Block
I/Os Connection	M12, 5pin Female Socket
Port	6

Mechanical Characteristics

Housing Material	PBT Plastic
Material of Moulding Mass	Nylon 66
Contact Carrier Material	Nylon 66
Contact Material	Brass-Ni Plated
Contact Surface Material	Gold Plated
Material O-Ring	Neoprene
Protection	IP65 / IP67

Environment Limits

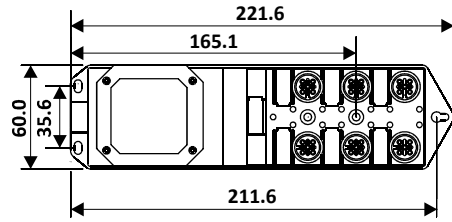
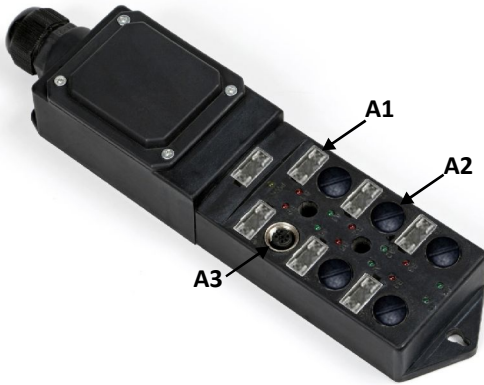
Operating Temperature	0 ... 55°C
Storage Temperature	0 ... 70°C

Indications

Yellow LED	Power
Red LEDs	NC I/O (B)
Green LEDs	NO I/O (A)

I/O Junction Box

Terminal Block



All dimensions are in mm.

Electrical Specification

Supply	24 V DC \pm 10%
Rated Current	Max. 2A per Port
Total Rated Current	Max. 8A
Connection	Through Terminal Block
I/Os Connection	M12, 5pin Female Socket
Port	6 (PNP Type)

Environmental Limits

Operating Temperature	0 ... 55°C
Storage Temperature	0 ... 70°C

Mechanical Specification

Housing Material	PBT Plastic
Material of Moulding Mass	Nylon 66
Contact Carrier Material	Nylon 66
Contact Material	Brass-Ni Plated
Contact Surface Material	Gold Plated
Material O-Ring	Neoprene
Protection	IP65

Indications

Yellow LED	POWER
Red LEDs	NC I/O (B)
Green LEDs	NO I/O (A)

Accessories

Description

A1*	Name Tag (7 Nos.) Material - PC (Transparent)
A2*	Protection Cap (6 Nos.) Material - Nylon-66 (Black)
A3 [#]	CNM12-S5SP0-BP7 (6 Nos.)

Connection Wire Diagram

1	A1
2	A2
3	A3
4	A4
5	A5
6	A6
7	B1
8	B2
9	B3
10	B4
11	B5
12	B6
13	24 V DC
14	GND
15	Earth

