

Datasheet

RS PRO M8 Female Front Panel Mount 4 Pin Connector

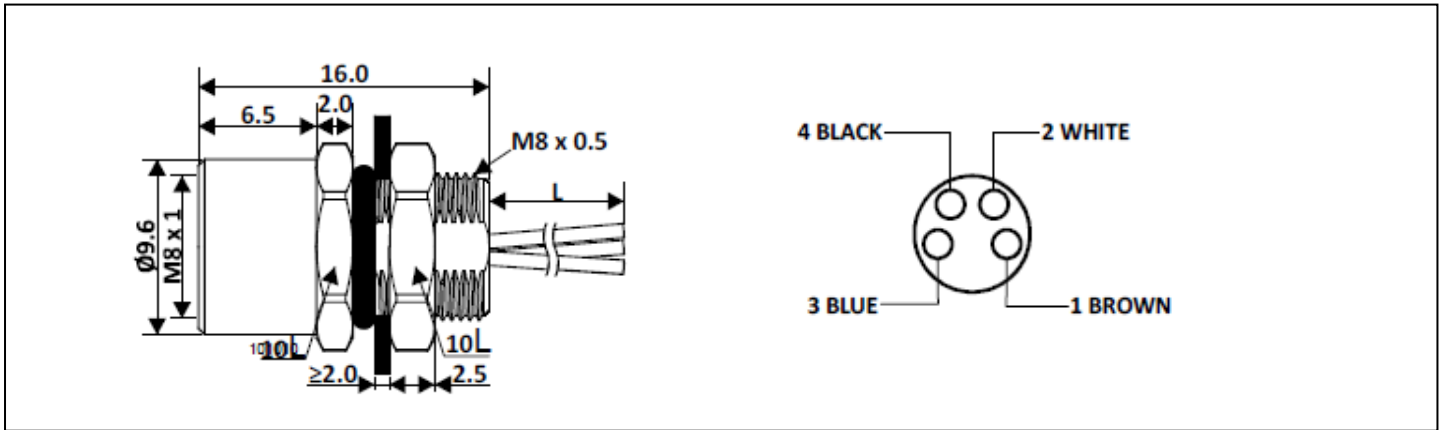
Part No: 2017164



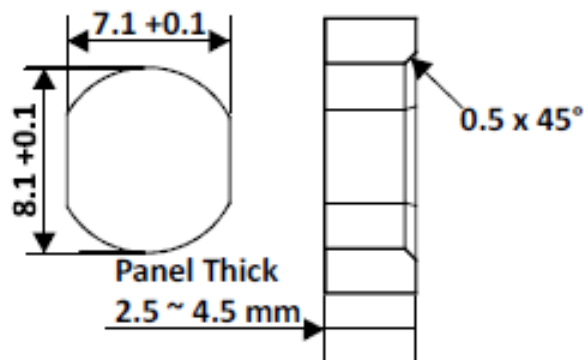
Technical Specifications:

Rated Operational Voltage	30 V
Current Rating	3 A
Insulation Resistance	≥100 MΩ
Temperature Range	-25° ... +75°C
Coding	A-Coded
Degree of Protection	IP67
Mounting	Front (M8 x 0.5)
Housing Material	Brass Ni Plated
Contact	Cu-Zn
Contact Plating	Gold Flash
Contact Carrier	Nylon 66
O-ring	Neoprene
Pole	4
Clamp Nut	M8 x 0.5

Cross Section of Wire	0.25 sq.mm
Termination	Partially Stripped
Cable length	500 mm



Recommended Panel Cut-out:



Quality Standard: IEC 61076-2-104



TÜVRheinland
CERTIFIED

Type Approved
Safety
Regular Production
Surveillance



www.tuv.com
ID 1111210482

