

## Features

- Steel material
- Removable pin (304-grade stainless steel)
- Concealed
- Long life span

## RS PRO Steel Hinge with a Lift-off Pin, 80mm x 30mm x 3mm

RS Stock No.: 293-7768



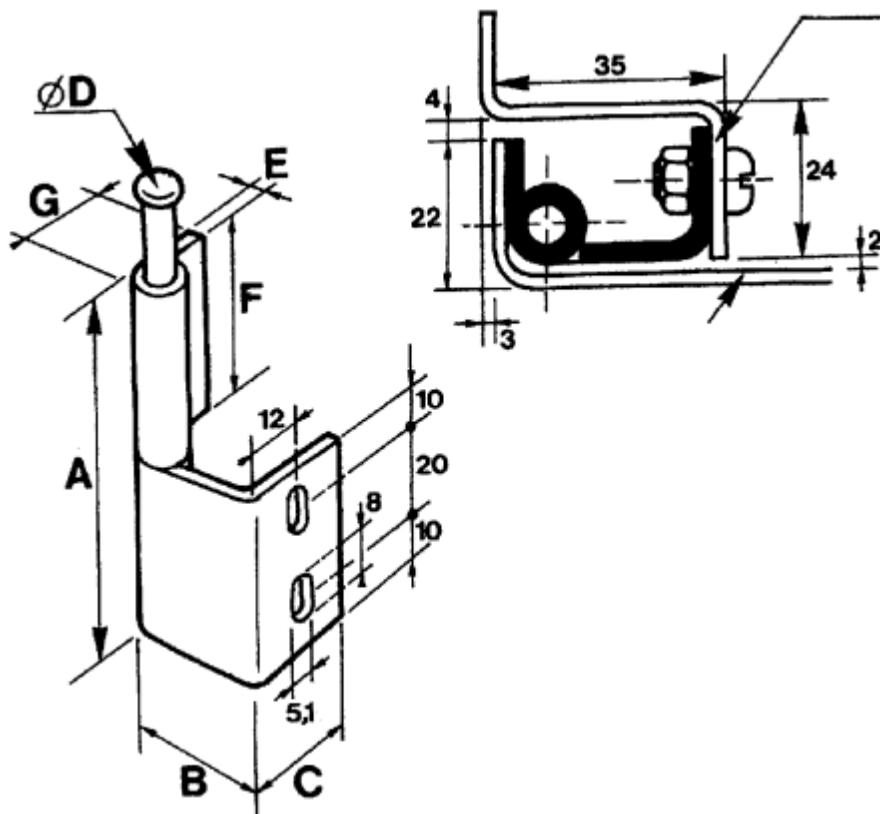
RS PRO Professionally Approved Products bring to you professional quality parts across all product categories. Our product range has been tested by engineers and provides a comparable quality to the leading brands without paying a premium price.

## Product Description

Use the RS PRO Steel Hinge with a Lift-off Pin for a professional finish and extra security. They are made from steel, have a removable pin, and offer a 100 ° opening radius. This style of hinge is popular in cabinets and boxes.

## General Specifications

Material	Steel
Hinge Type	Concealed
Length	80 mm
Width	30 mm
Thickness	3 mm
Pin Style	Lift-off
Fixing Hole Size	5 mm



Dimensions						
A	B	C	D	E	F	G
80 mm	30 mm	20 mm	6 mm	3 mm	40 mm	18 mm