

Glass Reinforced Polyester Enclosures

multicomp PRO

**RoHS
Compliant**



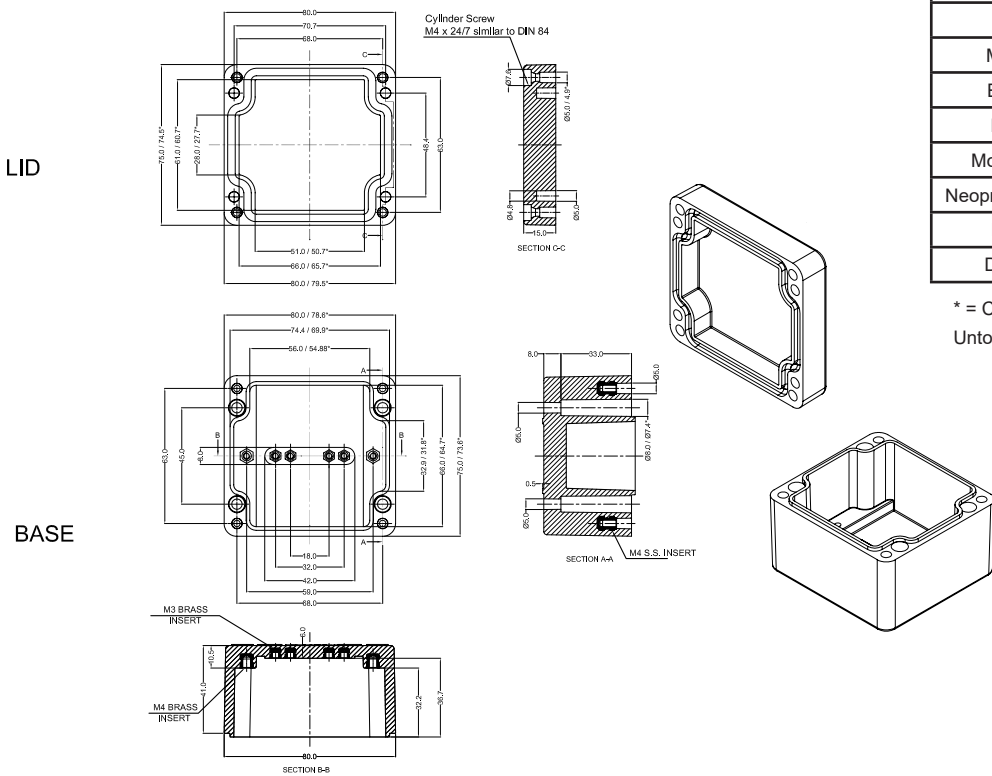
Grey



Black

Material	Glass Reinforced Polyester	Glass Reinforced Polyester-graphite added
Colour	Grey (RAL 7000)	Black (RAL 9011)
Impact Energy	7 Joules	
Temperature Range	-40°C to +80°C (Neoprene)	
	-60°C to +110°C (Silicone)	
Gasket	Neoprene, Silicone	
IP	IP 66	
Surface Resistance	> 10 ¹² Ω	< 10 ⁹ Ω
Flammability	V0 (UL 94)	
Dielectric Strength	18 kv / mm	-

MP007200 & MP007179 - 75mm × 80mm × 55mm



Optional Accessories		
Part Name	Qty.	Availability
Mounting Plate	1	Y
External Hinge	-	N
Internal Hinge	-	N
Mounting Brackets	4	Y
Neoprene/Silicon Gasket	1	Y
Din Rail TS15	1	Y
DIN RAIL TS35	-	N

* = Conical form tapering downward.

Untoleranced dimensions per DIN 16901-140

Dimensions : Millimetres

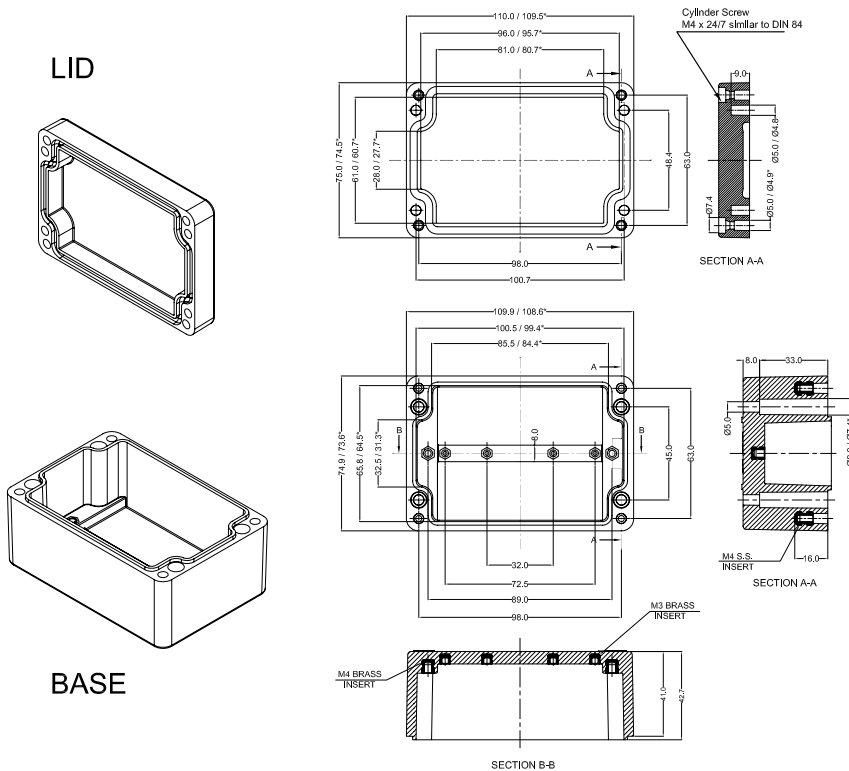
Newark.com/multicomp-pro
Farnell.com/multicomp-pro
Element14.com/multicomp-pro

multicomp PRO

Glass Reinforced Polyester Enclosures

multicomp PRO

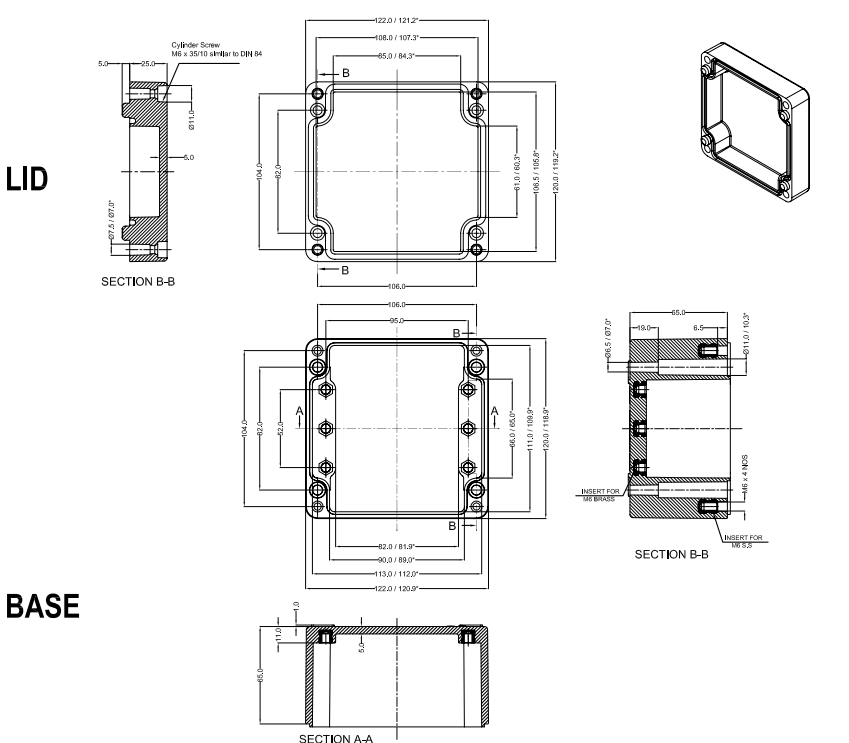
MP007180 & MP007201 - 110mm x 75mm x 55mm



Optional Accessories		
Part Name	Qty.	Availability
Mounting Plate	1	Y
External Hinge	-	N
Internal Hinge	-	N
Mounting Brackets	4	Y
Neoprene/Silicon Gasket	1	Y
Din Rail TS15	1	Y

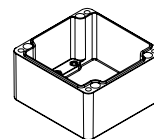
* = Conical form tapering downward.
 Untoleranced dimensions per DIN 16901-140

MP007181 & MP007202 - 122mm x 120mm x 91mm



Optional Accessories		
Part Name	Qty.	Availability
Mounting Plate	1	Y
External Hinge	2	Y
Internal Hinge	-	N
Mounting Brackets	4	Y
Neoprene/EMC/Silicon Gasket	1	Y
Din Rail TS15	-	N
DIN RAIL TS35	1	Y

* = Conical form tapering downward.
 Untoleranced dimensions per DIN 16901-140



Dimensions : Millimetres

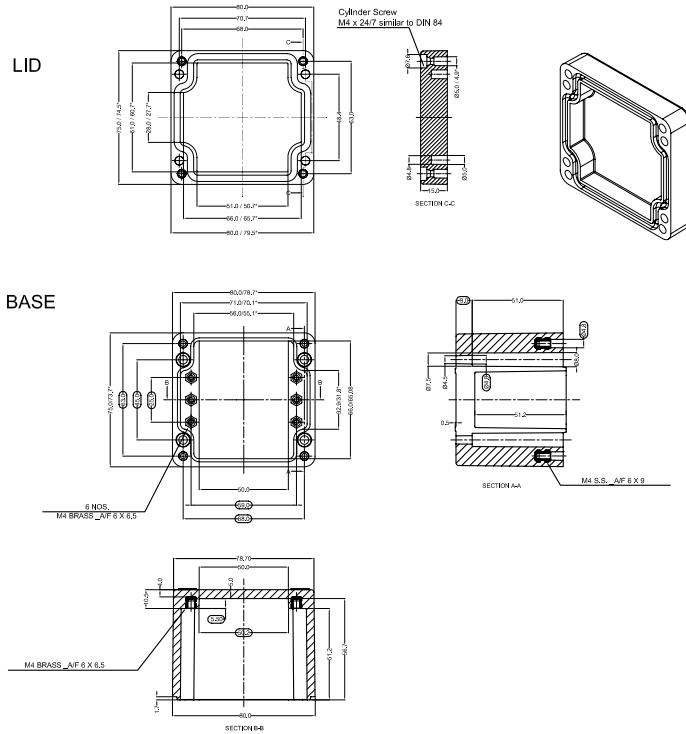
Newark.com/multicomp-pro
 Farnell.com/multicomp-pro
 Element14.com/multicomp-pro

multicomp PRO

Glass Reinforced Polyester Enclosures

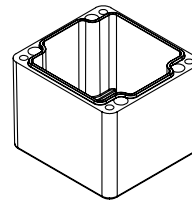
multicomp PRO

MP007182 & MP007203 - 75mm x 80mm x 75mm

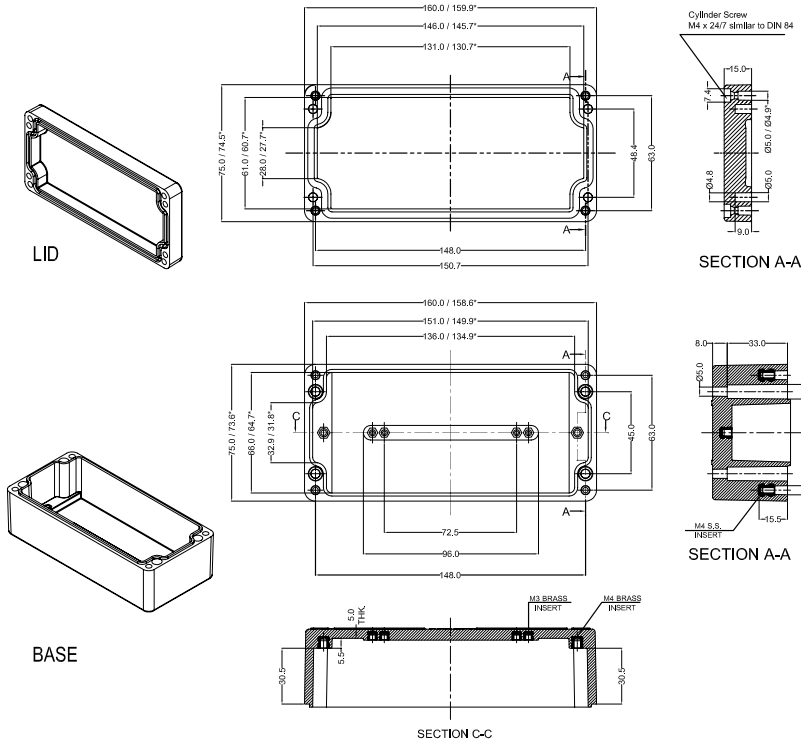


Optional Accessories		
Part Name	Qty.	Availability
Mounting Plate	1	Y
External Hinge	-	N
Internal Hinge	-	N
Mounting Brackets	4	Y
Neoprene/Silicon Gasket	1	Y
Din Rail TS15	1	Y
DIN RAIL TS35	-	N

* = Conical form tapering downward.
Untoleranced dimensions per DIN 16901-140



MP007183 & MP007204 - 160bb x 75mm x 55mm



Optional Accessories		
Part Name	Qty.	Availability
Mounting Plate	1	Y
External Hinge	-	N
Internal Hinge	-	N
Mounting Brackets	4	Y
Neoprene/EMC/Silicon Gasket	1	Y
Din Rail TS15	1	Y
DIN RAIL TS35	-	N

* = Conical form tapering downward.
Untoleranced dimensions per DIN 16901-140

Dimensions : Millimetres

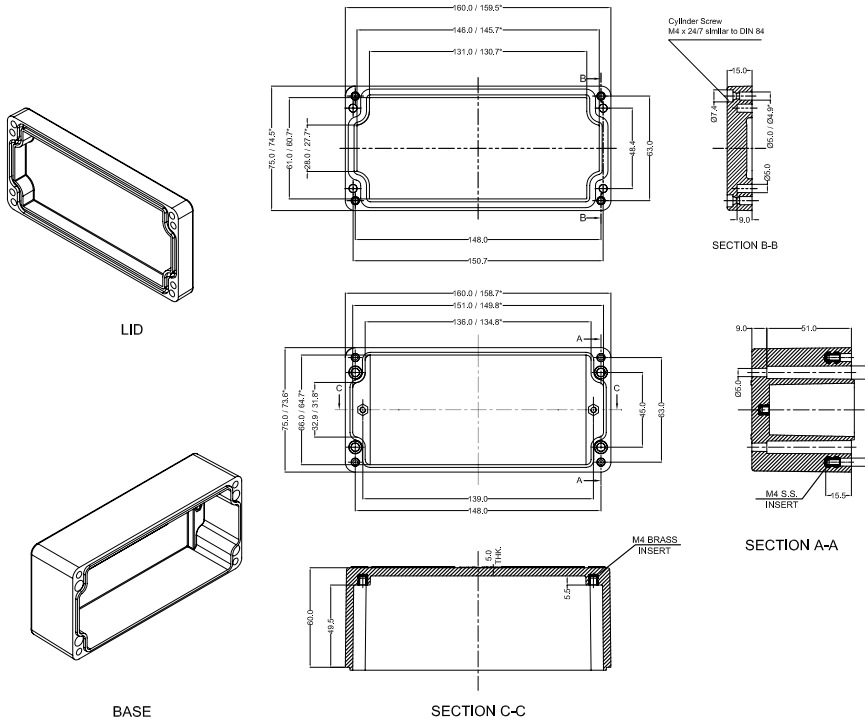
Newark.com/multicomp-pro
Farnell.com/multicomp-pro
Element14.com/multicomp-pro

multicomp PRO

Glass Reinforced Polyester Enclosures

multicomp PRO

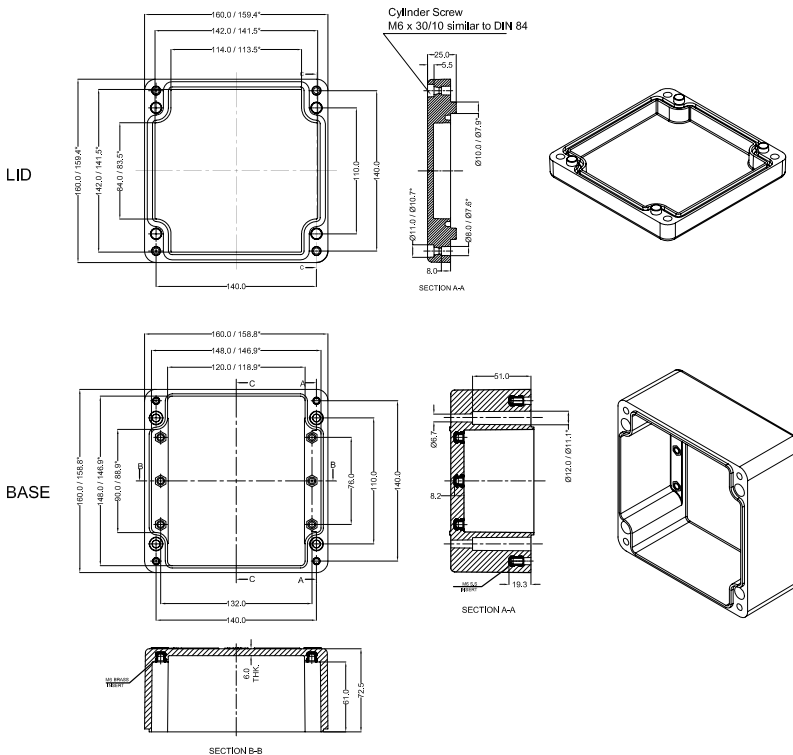
MP007184 & MP007205 - 160mm x 75mm x 75mm



Optional Accessories		
Part Name	Qty.	Availability
Mounting Plate	1	Y
External Hinge	-	N
Internal Hinge	-	N
Mounting Brackets	4	Y
Neoprene/EMC/Silicon Gasket	1	Y
Din Rail TS15	1	Y
DIN RAIL TS35	-	N

* = Conical form tapering downward.
 Untoleranced dimensions per DIN 16901-140

MP007185 & MP007206 - 160mm x 160mm x 90mm



Optional Accessories		
Part Name	Qty.	Availability
Mounting Plate	1	Y
External Hinge	1	Y
Mounting Brackets	4	Y
Neoprene/Silicon Gasket	1	Y
Din Rail TS15	-	N
DIN RAIL TS35	1	Y

* = Conical form tapering downward.
 Untoleranced dimensions per DIN 16901-140

Dimensions : Millimetres

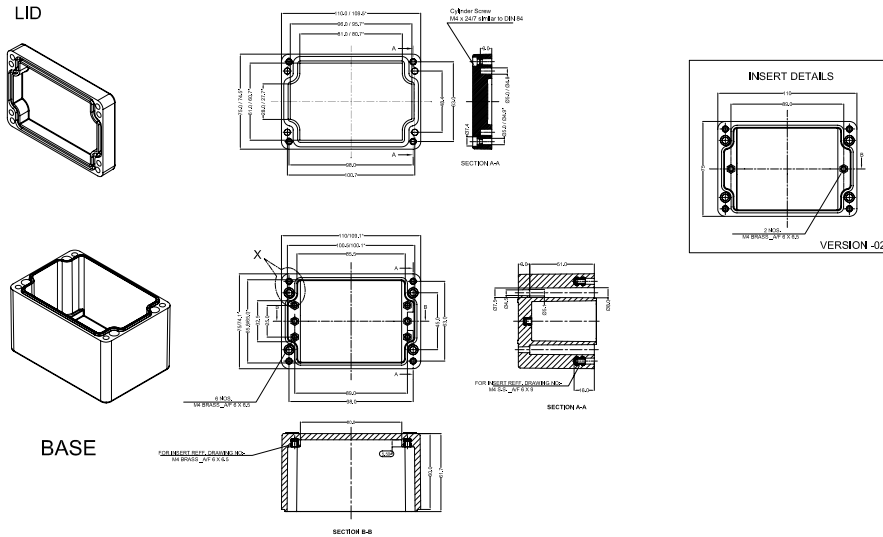
Newark.com/multicomp-pro
 Farnell.com/multicomp-pro
 Element14.com/multicomp-pro

multicomp PRO

Glass Reinforced Polyester Enclosures

multicomp PRO

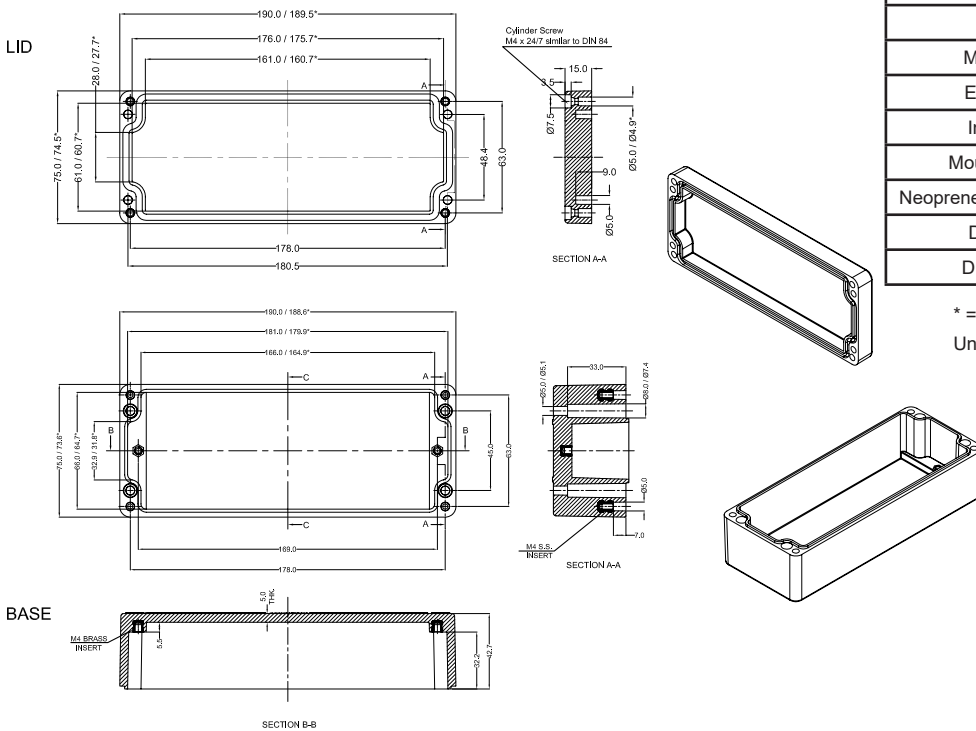
MP007186 & MP007207 - 110mm x 75mm x 75mm



Optional Accessories		
Part Name	Qty.	Availability
Mounting Plate	1	Y
External Hinge	-	N
Internal Hinge	-	N
Mounting Brackets	4	Y
Neoprene/EMC/Silicon Gasket	1	Y
Din Rail TS15	1	Y
DIN RAIL TS35	-	N

* = Conical form tapering downward.
 Untoleranced dimensions per DIN 16901-140

MP007187 & MP007208 - 190mm x 75mm x 55mm



Optional Accessories		
Part Name	Qty.	Availability
Mounting Plate	1	Y
External Hinge	-	N
Internal Hinge	-	N
Mounting Brackets	4	Y
Neoprene/EMC/Silicon Gasket	1	Y
Din Rail TS15	1	Y
DIN RAIL TS35	-	N

* = Conical form tapering downward.
 Untoleranced dimensions per DIN 16901-140

Dimensions : Millimetres

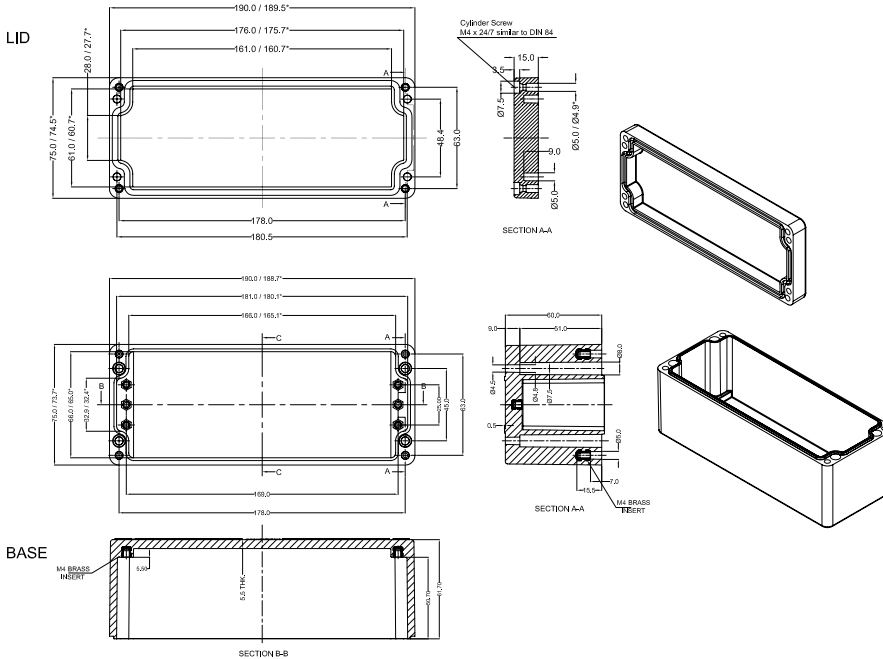
Newark.com/multicomp-pro
 Farnell.com/multicomp-pro
 Element14.com/multicomp-pro

multicomp PRO

Glass Reinforced Polyester Enclosures

multicomp PRO

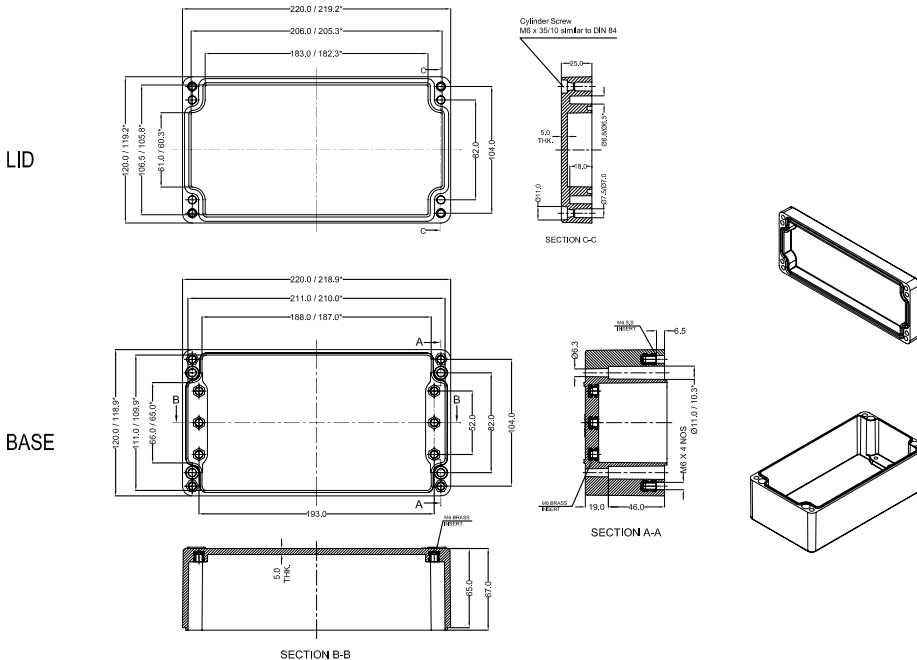
MP007188 & MP007209 - 190mm x 75mm x 75mm



Optional Accessories		
Part Name	Qty.	Availability
Mounting Plate	1	Y
External Hinge	-	N
Internal Hinge	-	N
Mounting Brackets	4	Y
Neoprene/EMC/Silicon Gasket	1	Y
Din Rail TS15	1	Y
DIN RAIL TS35	-	N

* = Conical form tapering downward.
 Untoleranced dimensions per DIN 16901-140

MP007189 & MP007210 - 220mm x 120mm x 91mm



Optional Accessories		
Part Name	Qty.	Availability
Mounting Plate	1	Y
External Hinge	1	Y
Internal Hinge	-	N
Mounting Brackets	4	Y
Neoprene/Silicon Gasket	1	Y
Din Rail TS15	-	N
DIN RAIL TS35	1	Y

* = Conical form tapering downward.
 Untoleranced dimensions per DIN 16901-140

Dimensions : Millimetres

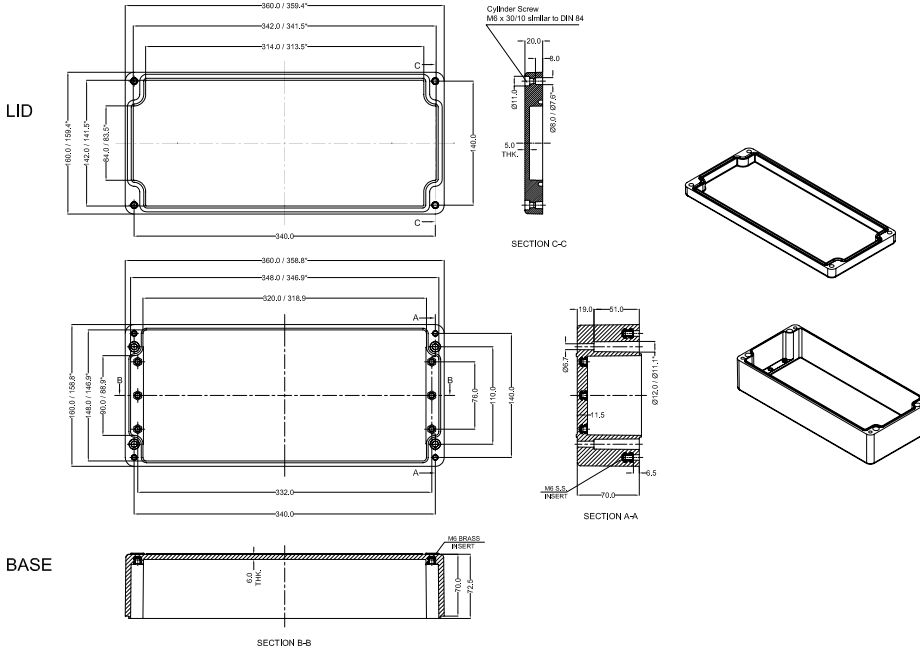
Newark.com/multicomp-pro
 Farnell.com/multicomp-pro
 Element14.com/multicomp-pro

multicomp PRO

Glass Reinforced Polyester Enclosures

multicomp PRO

MP007192 & MP007213 - 360mm x 160mm x 90mm

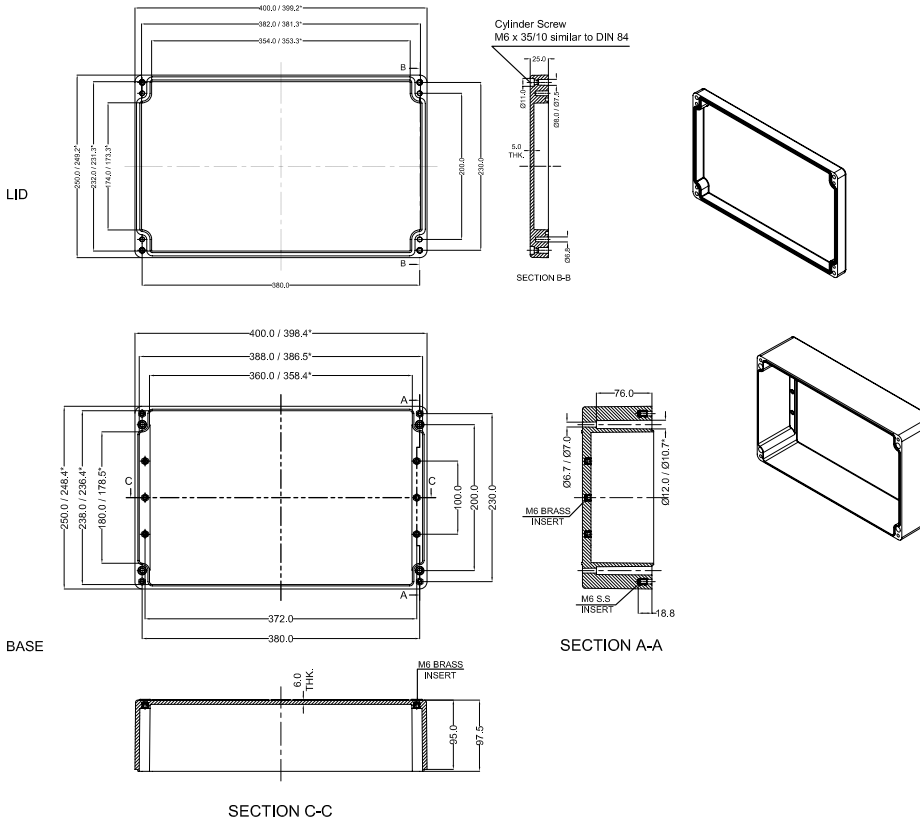


Optional Accessories		
Part Name	Qty.	Availability
Mounting Plate	1	Y
External Hinge	1	Y
Internal Hinge	-	N
Mounting Brackets	4	Y
Neoprene/Silicon Gasket	1	Y
Din Rail TS15	-	N
DIN RAIL TS35	1	Y

* = Conical form tapering downward.

Untoleranced dimensions per DIN 16901-140

MP007193 & MP007214 - 400mm x 250mm x 120mm



Optional Accessories		
Part Name	Qty.	Availability
Mounting Plate	1	Y
External Hinge	1	Y
Internal Hinge	-	N
Mounting Brackets	4	Y
Neoprene/Silicon Gasket	1	Y
Din Rail TS15	-	N
DIN RAIL TS35	1	Y

* = Conical form tapering downward.

Untoleranced dimensions per DIN 16901-140

Dimensions : Millimetres

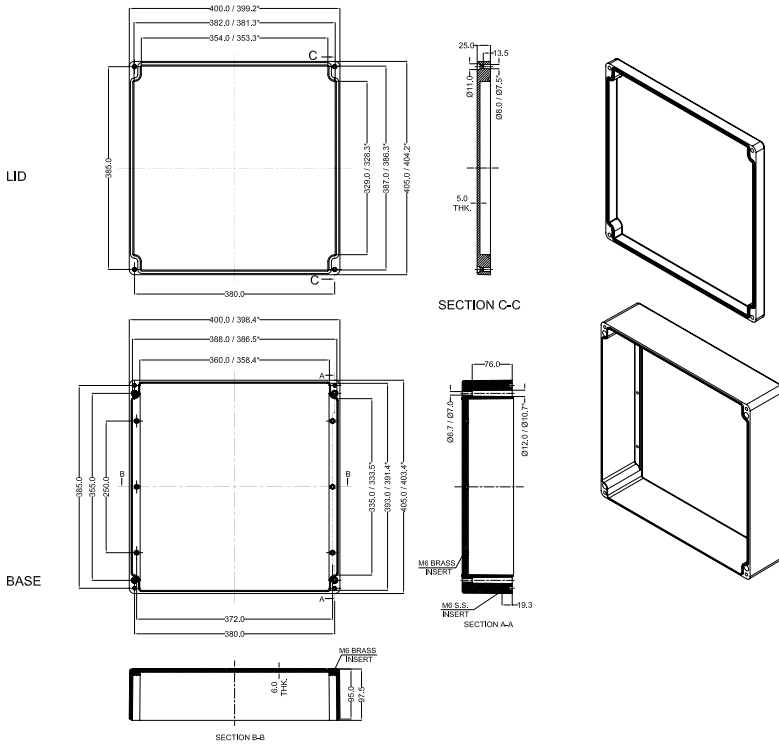
Newark.com/multicomp-pro
Farnell.com/multicomp-pro
Element14.com/multicomp-pro

multicomp PRO

Glass Reinforced Polyester Enclosures

multicomp PRO

MP007194 & MP007215 - 405mm x 400mm x 120mm

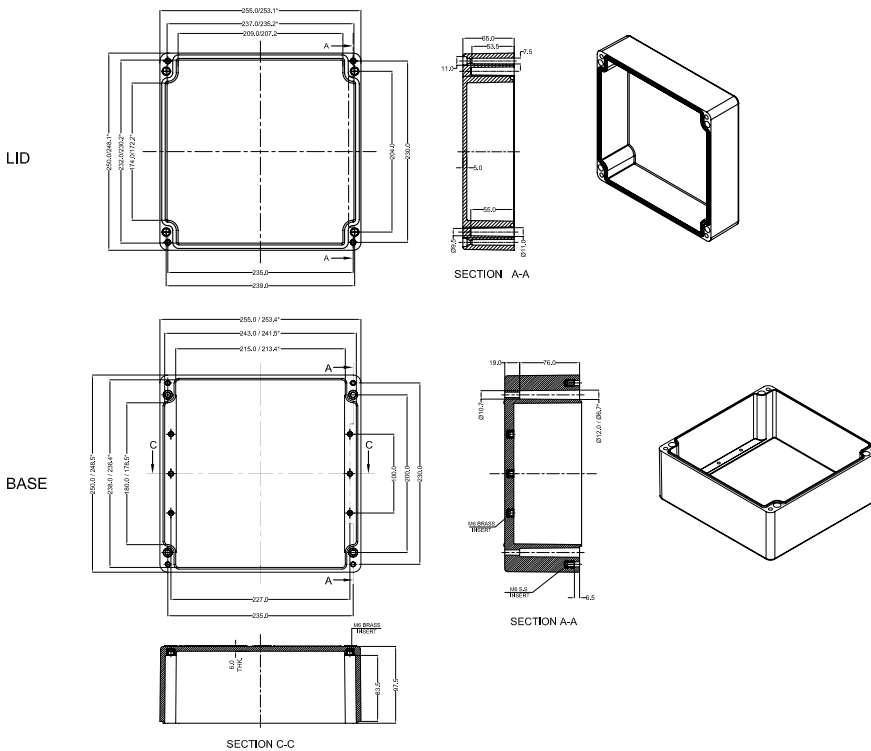


Optional Accessories		
Part Name	Qty.	Availability
Mounting Plate	1	Y
External Hinge	1	Y
Internal Hinge	-	N
Mounting Brackets	4	Y
Neoprene/Silicon Gasket	1	Y
Din Rail TS15	-	N
DIN RAIL TS35	1	Y

* = Conical form tapering downward.

Untoleranced dimensions per DIN 16901-140

MP007195 & MP007216 - 255mm x 250mm x 160mm



Optional Accessories		
Part Name	Qty.	Availability
Mounting Plate	1	Y
External Hinge	1	Y
Internal Hinge	-	N
Mounting Brackets	4	Y
Neoprene/Silicon Gasket	1	Y
Din Rail TS15	-	N
DIN RAIL TS35	1	Y

* = Conical form tapering downward.

Untoleranced dimensions per DIN 16901-140

Dimensions : Millimetres

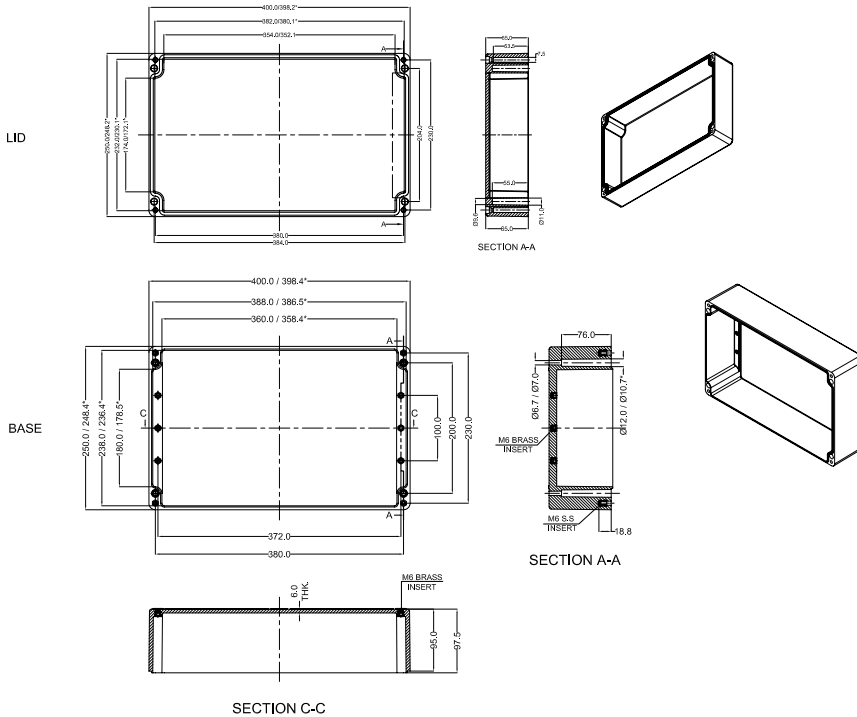
Newark.com/multicomp-pro
Farnell.com/multicomp-pro
Element14.com/multicomp-pro

multicomp PRO

Glass Reinforced Polyester Enclosures

multicomp PRO

MP007196 & MP007217 - 400mm x 250mm x 160mm

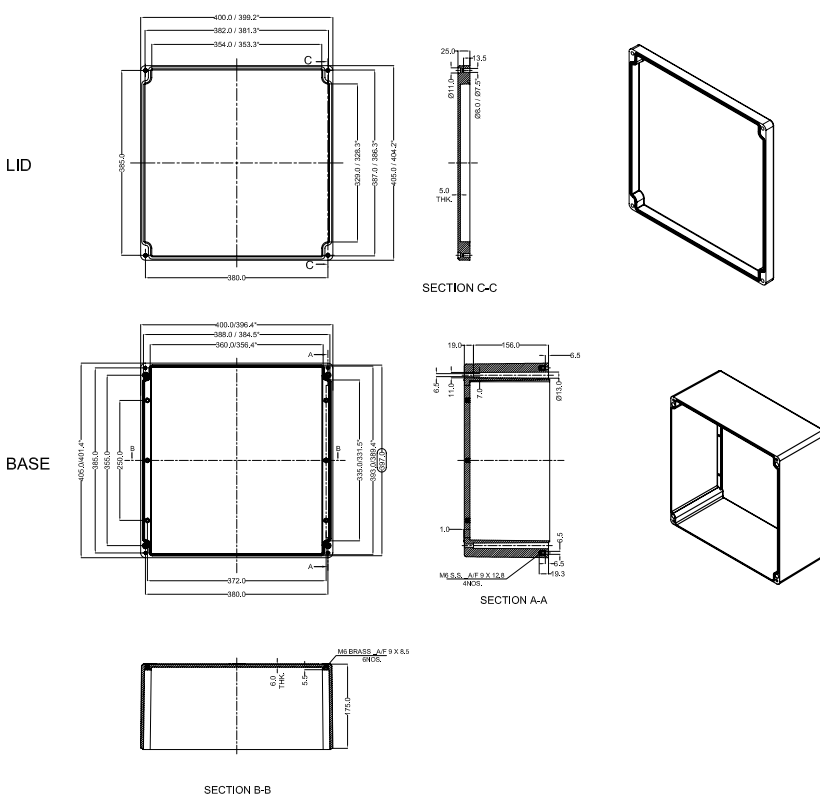


Optional Accessories		
Part Name	Qty.	Availability
Mounting Plate	1	Y
External Hinge	1	Y
Internal Hinge	-	N
Mounting Brackets	4	Y
Neoprene/Silicon Gasket	1	Y
Din Rail TS15	-	N
DIN RAIL TS35	1	Y

* = Conical form tapering downward.

Untoleranced dimensions per DIN 16901-140

MP007197 & MP007218 - 405mm x 400mm x 201mm



Optional Accessories		
Part Name	Qty.	Availability
Mounting Plate	1	Y
External Hinge	1	Y
Internal Hinge	-	N
Mounting Brackets	4	Y
Neoprene/Silicon Gasket	1	Y
Din Rail TS15	-	N
DIN RAIL TS35	1	Y

* = Conical form tapering downward.

Untoleranced dimensions per DIN 16901-140

Dimensions : Millimetres

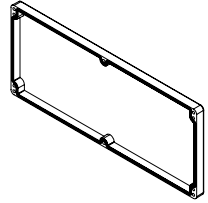
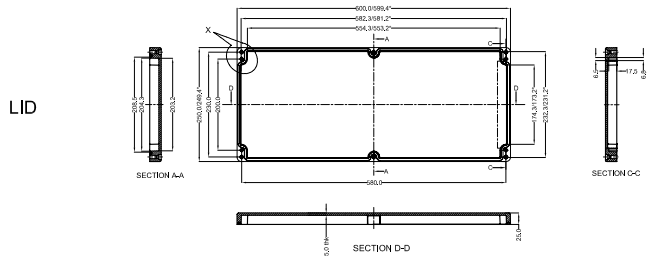
Newark.com/multicomp-pro
Farnell.com/multicomp-pro
Element14.com/multicomp-pro

multicomp PRO

Glass Reinforced Polyester Enclosures

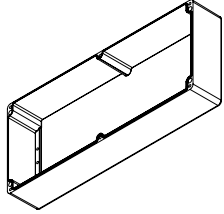
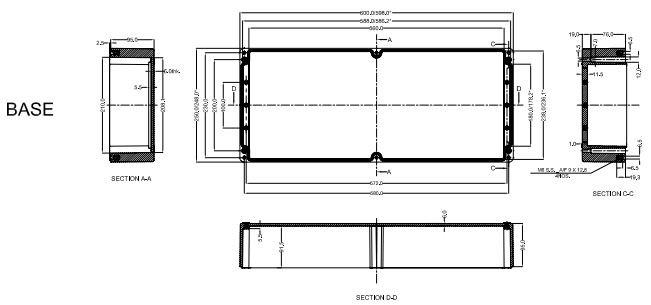
multicomp PRO

MP007198 & MP007219 - 600mm x 250mm x 121mm

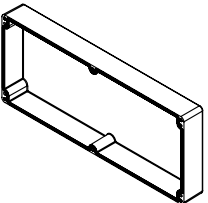
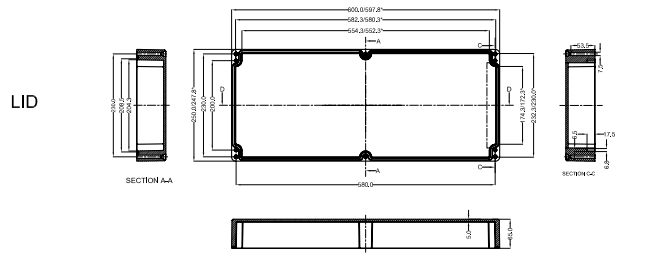


Optional Accessories		
Part Name	Qty.	Availability
Mounting Plate	1	Y
External Hinge	1	Y
Internal Hinge	-	N
Mounting Brackets	4	Y
Neoprene/Silicon Gasket	1	Y
Din Rail TS15	-	N
DIN RAIL TS35	1	Y

* = Conical form tapering downward.
 Untoleranced dimensions per DIN 16901-140

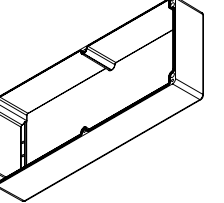
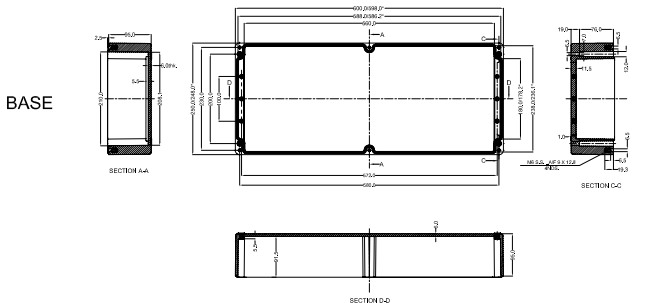


MP007199 & MP007220 - 600mm x 250mm x 161mm



Optional Accessories		
Part Name	Qty.	Availability
Mounting Plate	1	Y
External Hinge	1	Y
Internal Hinge	-	N
Mounting Brackets	4	Y
Neoprene/Silicon Gasket	1	Y
Din Rail TS15	-	N
DIN RAIL TS35	1	Y

* = Conical form tapering downward.
 Untoleranced dimensions per DIN 16901-140



Dimensions : Millimetres

Newark.com/multicomp-pro
 Farnell.com/multicomp-pro
 Element14.com/multicomp-pro

multicomp PRO

Glass Reinforced Polyester Enclosures

multicomp PRO

Part Number		Dimension (mm)			Dimension (Inch)			Din rail		Mounting Plate	External Mounting Bracket	External Hinge
Grey	Black	L	B	H	L	B	H	TS 15	TS 35			
MP007179	MP007200	80	75	55	3.15	2.95	2.17	Y	-	Y	Y	Y
MP007180	MP007201	110	75	55	4.13	2.95	2.17	Y	-	Y	Y	Y
MP007181	MP007202	122	120	90	4.8	4.72	3.54	-	Y	Y	Y	Y
MP007182	MP007203	80	75	75	3.15	2.95	2.95	-	Y	Y	Y	Y
MP007183	MP007204	160	75	55	6.3	2.95	2.17	Y	-	Y	Y	Y
MP007184	MP007205	160	75	75	6.3	2.95	2.95	Y	-	Y	Y	Y
MP007185	MP007206	160	160	90	6.3	6.3	3.54	-	Y	Y	Y	Y
MP007186	MP007207	110	75	75	4.33	2.95	2.95	Y	-	Y	Y	Y
MP007187	MP007208	190	75	55	7.48	2.95	2.17	Y	-	Y	Y	Y
MP007188	MP007209	190	75	75	7.48	2.95	2.95	Y	-	Y	Y	Y
MP007189	MP007210	220	120	90	8.66	4.72	3.54	-	Y	Y	Y	Y
MP007190	MP007211	255	250	120	10.04	9.84	4.72	-	Y	Y	Y	Y
MP007191	MP007212	260	160	90	10.24	6.3	3.54	-	Y	Y	Y	Y
MP007192	MP007213	360	160	90	14.17	6.3	3.54	-	Y	Y	Y	Y
MP007193	MP007214	400	250	120	15.75	9.84	4.72	-	Y	Y	Y	Y
MP007194	MP007215	400	405	120	15.75	15.74	4.72	-	Y	Y	Y	Y
MP007195	MP007216	255	250	160	10.04	9.84	6.3	-	Y	Y	Y	Y
MP007196	MP007217	400	250	160	15.75	9.84	6.3	-	Y	Y	Y	Y
MP007197	MP007218	400	405	201	15.75	15.94	7.91	-	Y	Y	Y	Y
MP007198	MP007219	600	250	121	23.62	9.84	4.76	-	Y	Y	Y	Y
MP007199	MP007220	600	250	161	23.62	9.84	6.34	-	Y	Y	Y	Y

Part Number Table

Description	Part Number
GRP Enclosures with Neoprene Seal, Grey, IP66, 80mm x 75mm x 55mm	MP007179
GRP Enclosures with Neoprene Seal, Grey, IP66, 110mm x 75mm x 55mm	MP007180
GRP Enclosures with Neoprene Seal, Grey, IP66, 122mm x 120mm x 90mm	MP007181
GRP Enclosures with Neoprene Seal, Grey, IP66, 80mm x 75mm x 75mm	MP007182
GRP Enclosures with Neoprene Seal, Grey, IP66, 160mm x 75mm x 55mm	MP007183
GRP Enclosures with Neoprene Seal, Grey, IP66, 160mm x 75mm x 75mm	MP007184
GRP Enclosures with Neoprene Seal, Grey, IP66, 160mm x 160mm x 90mm	MP007185
GRP Enclosures with Neoprene Seal, Grey, IP66, 110mm x 75mm x 75mm	MP007186

Newark.com/multicomp-pro
 Farnell.com/multicomp-pro
 Element14.com/multicomp-pro

multicomp PRO

Glass Reinforced Polyester Enclosures

multicomp PRO

Description	Part Number
GRP Enclosures with Neoprene Seal, Grey, IP66, 190mm x 75mm x 55mm	MP007187
GRP Enclosures with Neoprene Seal, Grey, IP66, 190mm x 75mm x 75mm	MP007188
GRP Enclosures with Neoprene Seal, Grey, IP66, 220mm x 120mm x 90mm	MP007189
GRP Enclosures with Neoprene Seal, Grey, IP66, 255mm x 250mm x 120mm	MP007190
GRP Enclosures with Neoprene Seal, Grey, IP66, 260mm x 160mm x 90mm	MP007191
GRP Enclosures with Neoprene Seal, Grey, IP66, 360mm x 160mm x 90mm	MP007192
GRP Enclosures with Neoprene Seal, Grey, IP66, 400mm x 250mm x 120mm	MP007193
GRP Enclosures with Neoprene Seal, Grey, IP66, 400mm x 405mm x 120mm	MP007194
GRP Enclosures with Neoprene Seal, Grey, IP66, 255mm x 250mm x 160mm	MP007195
GRP Enclosures with Neoprene Seal, Grey, IP66, 400mm x 250mm x 160mm	MP007196
GRP Enclosures with Neoprene Seal, Grey, IP66, 400mm x 405mm x 201mm	MP007197
GRP Enclosures with Neoprene Seal, Grey, IP66, 600mm x 250mm x 121mm	MP007198
GRP Enclosures with Neoprene Seal, Grey, IP66, 600mm x 250mm x 161mm	MP007199
GRP Enclosures with Silicon Seal, Black, IP66, 80mm x 75mm x 55mm	MP007200
GRP Enclosures with Silicon Seal, Black, IP66, 110mm x 75mm x 55mm	MP007201
GRP Enclosures with Silicon Seal, Black, IP66, 122mm x 120mm x 90mm	MP007202
GRP Enclosures with Silicon Seal, Black, IP66, 80mm x 75mm x 75mm	MP007203
GRP Enclosures with Silicon Seal, Black, IP66, 160mm x 75mm x 55mm	MP007204
GRP Enclosures with Silicon Seal, Black, IP66, 160mm x 75mm x 75mm	MP007205
GRP Enclosures with Silicon Seal, Black, IP66, 160mm x 160mm x 90mm	MP007206
GRP Enclosures with Silicon Seal, Black, IP66, 110mm x 75mm x 75mm	MP007207
GRP Enclosures with Silicon Seal, Black, IP66, 190mm x 75mm x 55mm	MP007208
GRP Enclosures with Silicon Seal, Black, IP66, 190mm x 75mm x 75mm	MP007209
GRP Enclosures with Silicon Seal, Black, IP66, 220mm x 120mm x 90mm	MP007210
GRP Enclosures with Silicon Seal, Black, IP66, 255mm x 250mm x 120mm	MP007211
GRP Enclosures with Silicon Seal, Black, IP66, 260mm x 160mm x 90mm	MP007212
GRP Enclosures with Silicon Seal, Black, IP66, 360mm x 160mm x 90mm	MP007213
GRP Enclosures with Silicon Seal, Black, IP66, 400mm x 250mm x 120mm	MP007214
GRP Enclosures with Silicon Seal, Black, IP66, 400mm x 405mm x 120mm	MP007215
GRP Enclosures with Silicon Seal, Black, IP66, 255mm x 250mm x 160mm	MP007216
GRP Enclosures with Silicon Seal, Black, IP66, 400mm x 250mm x 160mm	MP007217
GRP Enclosures with Silicon Seal, Black, IP66, 400mm x 405mm x 201mm	MP007218
GRP Enclosures with Silicon Seal, Black, IP66, 600mm x 250mm x 121mm	MP007219
GRP Enclosures with Silicon Seal, Black, IP66, 600mm x 250mm x 161mm	MP007220

Important Notice : This data sheet and its contents (the "Information") belong to the members of the AVNET group of companies (the "Group") or are licensed to it. No licence is granted for the use of it other than for information purposes in connection with the products to which it relates. No licence of any intellectual property rights is granted. The Information is subject to change without notice and replaces all data sheets previously supplied. The Information supplied is believed to be accurate but the Group assumes no responsibility for its accuracy or completeness, any error in or omission from it or for any use made of it. Users of this data sheet should check for themselves the Information and the suitability of the products for their purpose and not make any assumptions based on information included or omitted. Liability for loss or damage resulting from any reliance on the Information or use of it (including liability resulting from negligence or where the Group was aware of the possibility of such loss or damage arising) is excluded. This will not operate to limit or restrict the Group's liability for death or personal injury resulting from its negligence. Multicomp Pro is the registered trademark of Premier Farnell Limited 2019.

Newark.com/multicomp-pro
 Farnell.com/multicomp-pro
 Element14.com/multicomp-pro

multicomp PRO