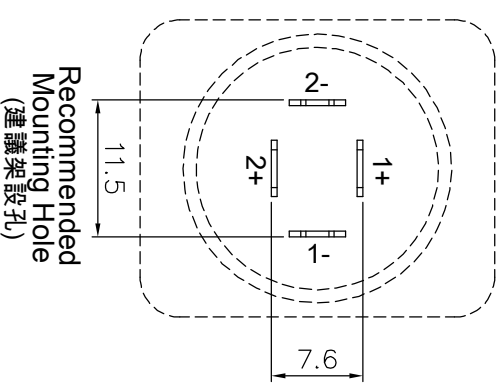
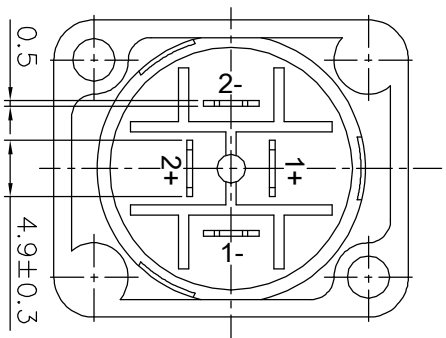
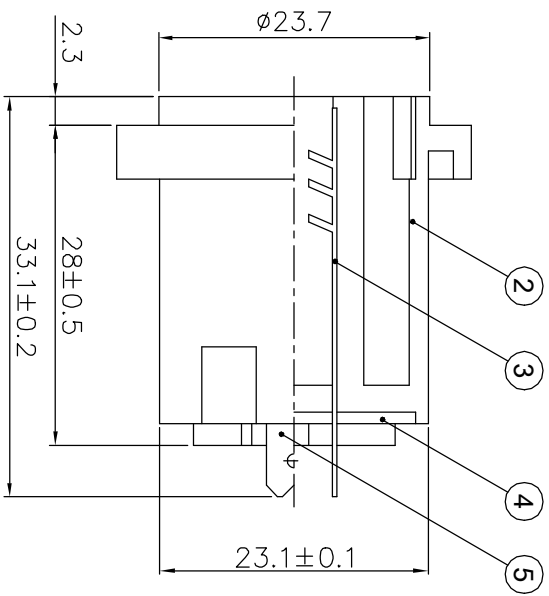
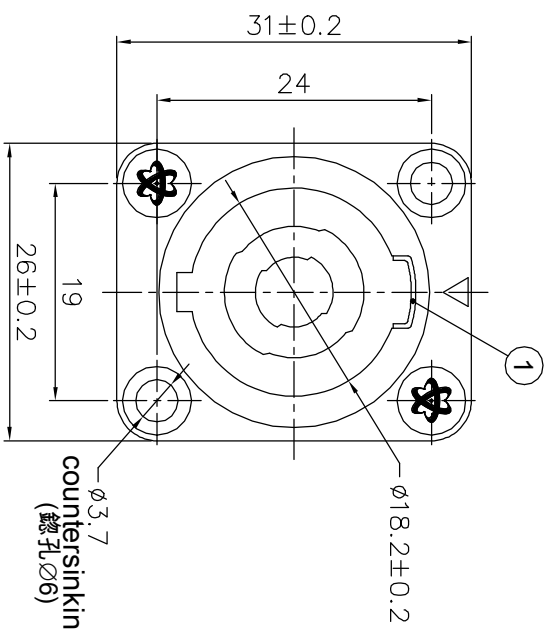


ISS		REVISIONS	
ZONE	DESCRIPTION\PER REQUEST\DATE		
A2	ALL	总体尺寸更正	
V	OPEN	对客户公开图纸	
	OPEN	对供应商公开图纸	
	CLOSED	仅限厂内使用	



Note(備註):
 ★1. Packing way: 1 pc/ pack, with sticker on top.
 (包裝方式: 1PC一包裝, 包裝上貼上客戶標貼)

"英國RS" 專用

NO.	DESCRIPTION	MATERIAL	FINISH	Q'TY	DRAWING NO.	SCALE	THIRD_ANGLE	ERP LINK:	PART NO.	REV.
5	端子 1/2 (TERMINAL 1/2)	PHOSPHOR BRONZE	鍍金 (GOLD)	2						
4	後蓋 (BACK COVER)	PA	黑色 (BLACK)	1						
3	端子 2+ (TERMINAL 2+)	PHOSPHOR BRONZE	鍍金 (GOLD)	2	4401150027					
2	塑膠 (PLASTIC SHELL)	PA	黑色 (BLACK)	1						
1	金屬片 (SHEET METAL)	PHOSPHOR BRONZE	鍍鎳 (NICKEL)	1	3103040005					
DIMENSIONS ARE IN MILLIMETERS UNLESS OTHERWISE SPECIFIED TOLERANCES ANGLES = ±5° UP TO 6 = ±0.2 6-40 = ±0.4 40-120 = ±0.6 120-315 = ±1 ABOVE 315 = ±1.6 APPROVED DATE CHECKED DATE DRAWN DATE FILE NO. D:\CAD\SVP\5115020080_SVP563S-M-RS-CA001A2 THIRD_ANGLE SCALE 1.5/1 ERP LINK: 5115020080 TITLE 4P MALE PANEL MOUNT SPEAKER CONNECTOR W/METAL FLANGE PART NO. SVP563S-M-RS REV. A2										



寧波日鼎電子科技有限公司
 NINGBO SUN RISE ELECTRIC TECHNOLOGY CO., LTD

4P MALE PANEL MOUNT SPEAKER CONNECTOR
 W/METAL FLANGE

PART NO. SVP563S-M-RS

ERP LINK: 5115020080

DATE 2020-03-26

DATE

DATE

DATE

DATE