



ENGLISH

Datasheet

RS Pro Round Speaker Driver, 1W nom, 8Ω

RS Stock No: **628-4529**



Product Details

RS Pro round speaker driver features weatherproof black cone speaker that is suitable for non-critical music and speech applications. It is ideal for use as sounders or alarms, where multiple tones are required. It has an impedance of 8 Ω and nominal rated power of 1 W.

Features and Benefits

- Ideal for use as sounders or alarms, where multiple tones are required
- Impedance: 8 Ω
- Nominal rated power of 1 W
- Made from Mylar dome/cone

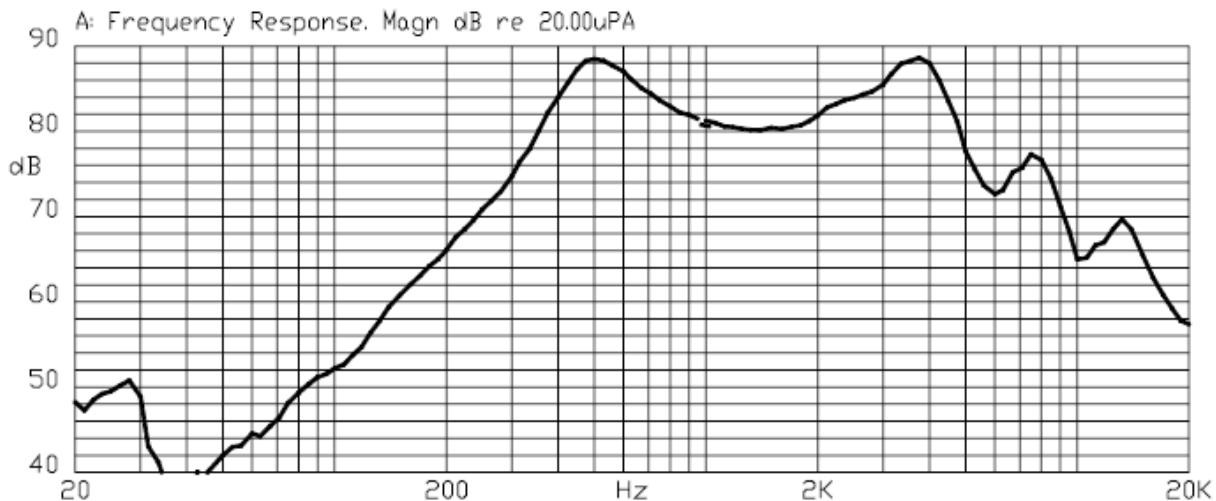


ENGLISH

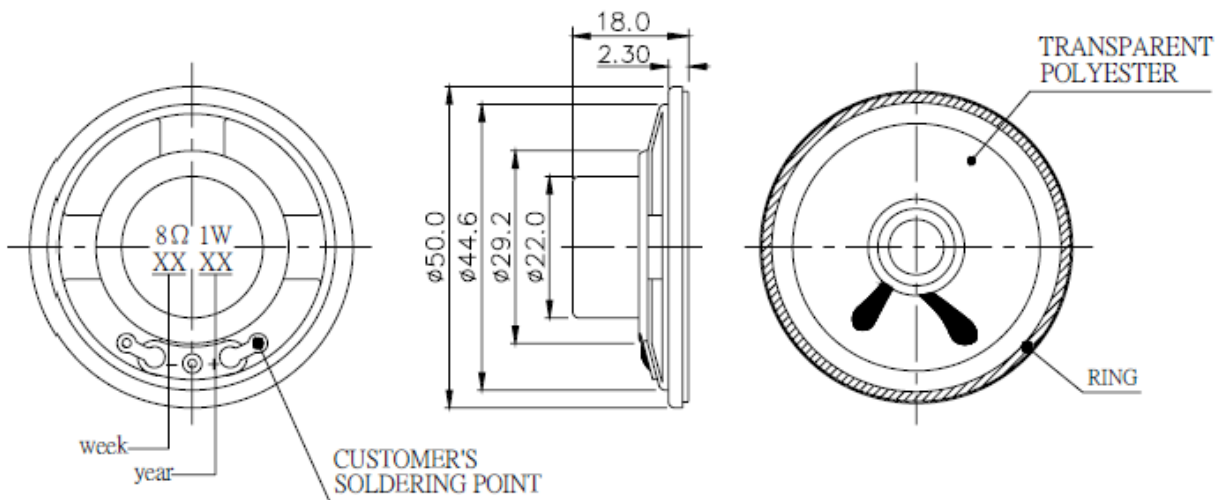
Specifications:

Cone/Dome Material	Mylar
Driver Shape	Round
Impedance	8 Ω
Length	50 mm
Nominal Rated Power	1 W
Speaker Driver Size	8 cm (3 in) & Under
Width	50 mm

C. TYPICAL FREQUENCY RESPONSE CURVE 頻率響應曲線



D. APPEARANCE DRAWING 外觀尺寸圖



Tol: ± 0.5

Unit: mm