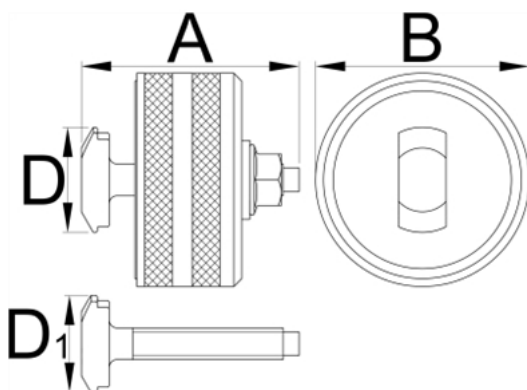
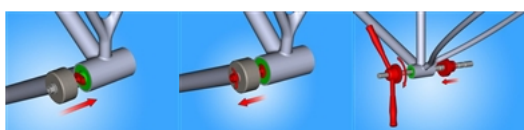


BB90 removal tool - 1625/2BB90



Description

• This tool is designed to remove the non-threaded bottom bracket bearings and cups of the BB90 bottom bracket system. It also supports other press fit standards with 24mm spindle, such as BB86, BB92, SRAM Press Fit GXP. The removal tool will pull the bearings & cup from the frame. Carefully insert the guide head of removal tool trough the bottom bracket cup (marked green).

Technical Data

Barcode	A	B	D	D1	mm	Weight	Material	Quantity	Other
62308 5	55	54	26,6	24,5	13	283	1G	1	-

Packaging data

Barcode	Retail tool packaging			Weight	Quantity	Transport package			Weight
	Retail packing in mm (length)	Retail packing in mm (width)	Retail packing in mm (height)			Transport packing in mm (length)	Transport packing in mm (width)	Transport packing in mm (height)	
62308 5	92	57	57	325	1	92	57	57	324