



EN

## Datasheet

# RS PRO VINYL-INSULATED (EASY ENTRY) BLADE TERMINALS

Stock number: 178-7252

MAXIMUM ELECTRIC CURRENT:

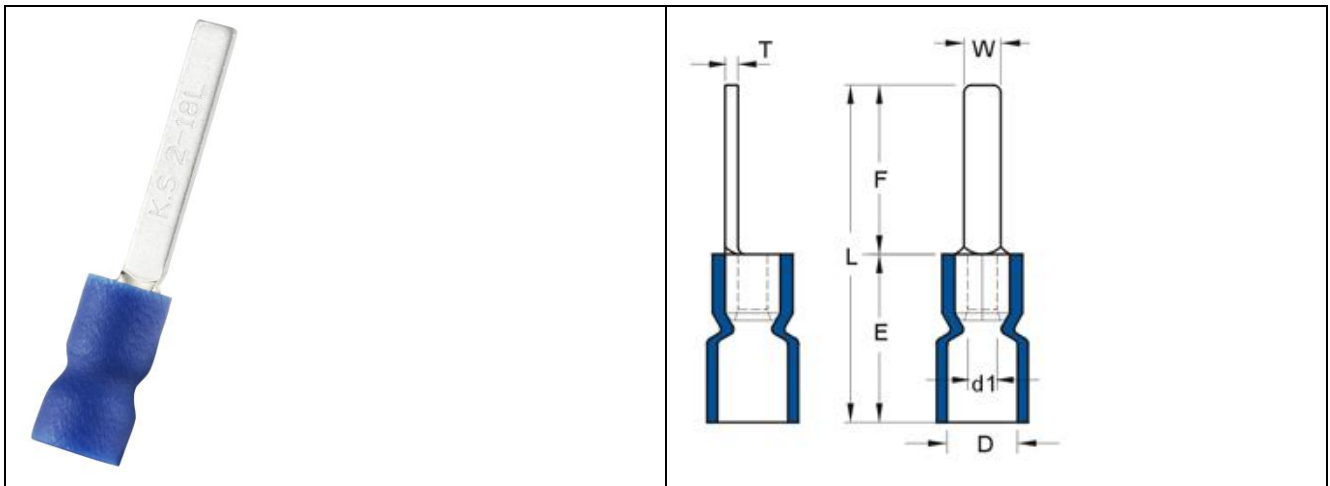
A.W.G.	16	14
AMP.	18	30

MAXIMUM ELECTRICAL RATING: 105° C 600 VOLTS MAX.

INSULATION MATERIAL: VINYL (PVC)

TERMINAL MATERIAL: COPPER

INSULATION COLOR: BLUE



WIRE RANGE A.W.G. mm <sup>2</sup>	ITEM NO.		DIMENSION inch(mm)						
	BUTTED SEAM		W	F	L	E	D	d1	T
16-14 A.W.G.	■	178-7252	0.11	0.709	1.154	0.453	0.177	0.091	0.031
1.5-2.5 mm <sup>2</sup>			2.8	18	29.3	11.5	4.500	2.3	0.8