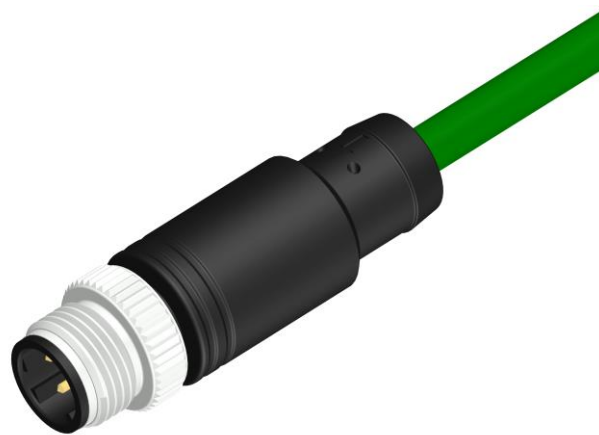


**Datasheet****RS PRO M12 Male Straight 4 Pin D-Coded Connector, TPE Cable, 10m**

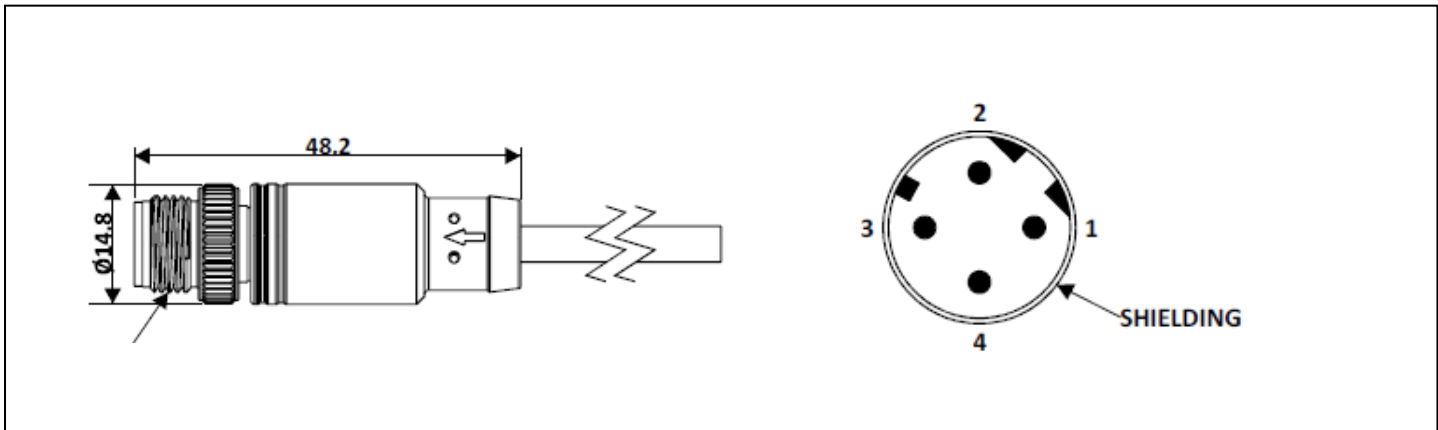
Part No: 2017112

**Technical Specifications:**

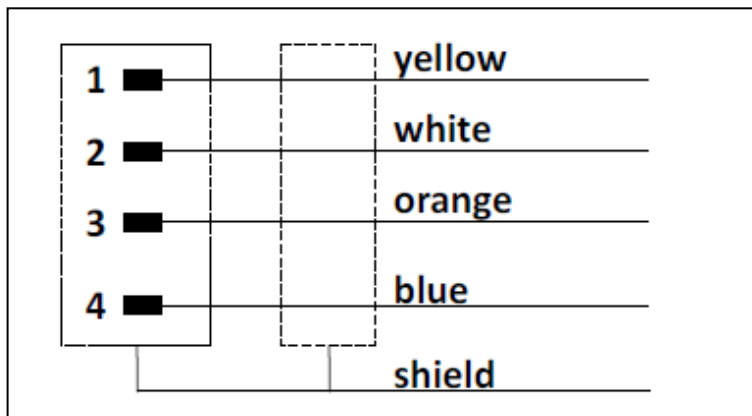
Rated Operational Voltage	250 V
Current Rating	4 A
Insulation Resistance	≥100 MΩ
Temperature Range	-25° ... +75°C
Coding	D-Coded
Degree of Protection	IP67
Grip Material	PU
Contact	Cu-Zn
Contact Plating	Gold Flash
Contact Carrier	Nylon 66
O-ring	Neoprene
Coupling Nut	Brass Nickel-Plated
Grip Colour	Black

**Cable Specifications:**

Cable Length-L	10 m
Cable Type	Cat5e TPE (2 x 2 Twisted Pair)
Sheath Colour	Green
Cross Section of Wire	AWG 22
Cable Dia	6.5 ± 0.2 mm
Core Insulation	PE
Termination	Partially Stripped
Transfer Parameters	CAT5E
Transfer Rate	up to 100 Mbit/s
Shielding Details	Braiding 75% Approx.



**Wiring Diagram:**



**Quality Standard: IEC 61076-2-101**



Type Approved  
Safety  
Regular Production  
Surveillance



www.tuv.com  
ID 111210483

