

RoHS
Compliant



Description

This fluid connector from Multicomp Pro offers rugged, reliable, and convenient operation in industrial environments. Designed with high structural integrity and built to ensure stable flow operation.

Features

- Two-way sealing, Switch on/off without leakage
- Rugged connection for industrial environment
- Ease of use, blind insertion, and tactile design
- Corrosion-resistant material

Applications

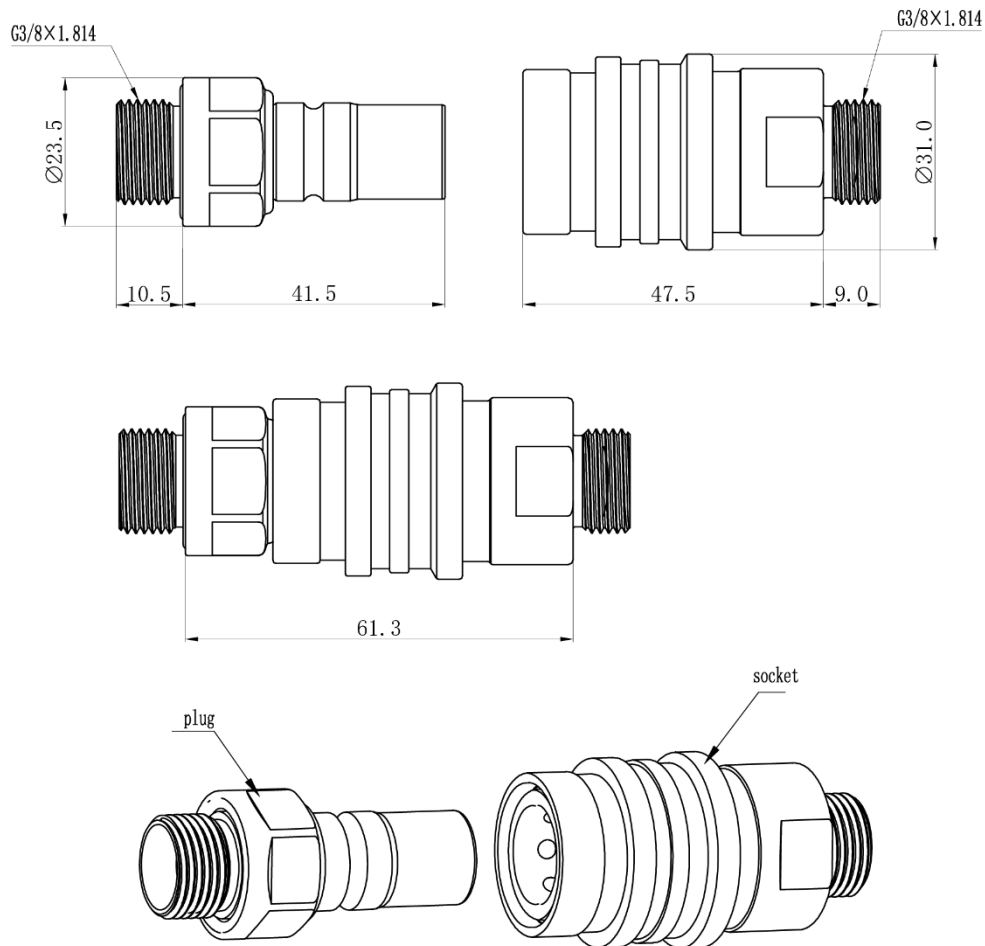
Industrial, Rail, Alternative energy, Medical. Suitable for use with Coolant, deionized water, water-ethylene glycol, thermal oil, esters, kerosene and other fluid media.

Name	Parameter	Unit
Material of Main body	HPB59-1	-
Material of O-ring	EPDM	-
Medium	Coolant, Water-ethylene glycol	-
Sealing Mode	Double	-
Mechanical Life (Plugging Time)	>1000	Time
Leakage Of Single Plugging	<0.02	ml
Maximum Working Flow	15.07	L/min
Working Temp	-20 to 150	°C
Maximum Working Pressure	20	Bar

Matters needing attention

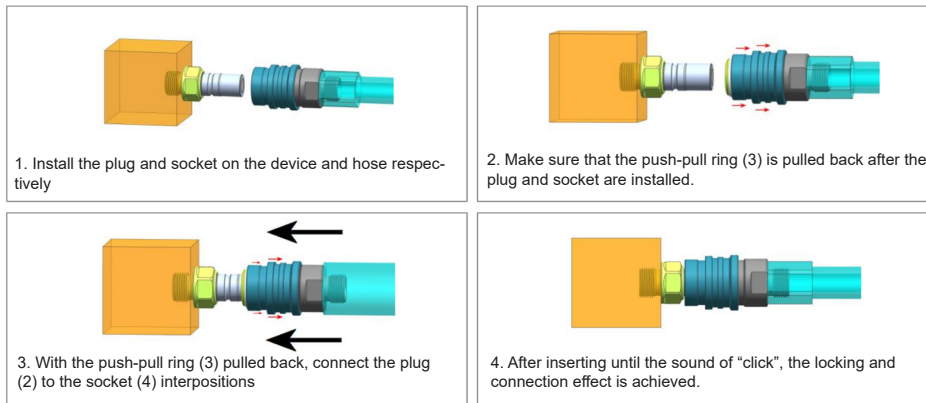
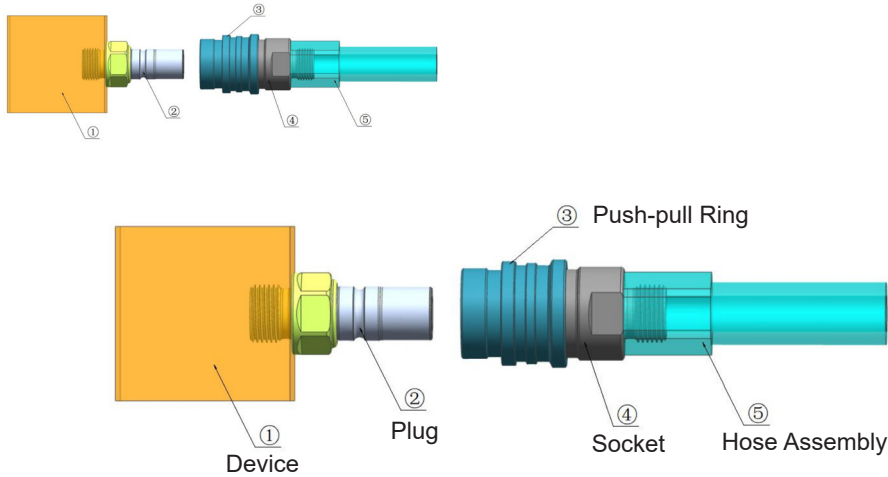
- Do not use over the maximum working pressure and the maximum temperature and the maximum flow
- Do not use the product as a hinge joint
- It is forbidden to use the product interchangeably with other products outside the company
- It is forbidden to disassemble the product without permission or replace the parts after disassembly before use
- Do not use in fluids other than available media
- Loose-proof measures shall be considered for installation and use
- The working medium shall ensure the fluid cleanliness
- Ensure that the fluid connector is clean and pollution-free before use
- Please contact us for any leakage or other problems during installation or use.

Diagram



Dimensions : Millimeters

Fluid Connector User's Manual



Part Number Table

Description	Part Number
Push Pull Fluid Connector, 20 Bar	MP011122

Important Notice : This data sheet and its contents (the "Information") belong to the members of the AVNET group of companies (the "Group") or are licensed to it. No licence is granted for the use of it other than for information purposes in connection with the products to which it relates. No licence of any intellectual property rights is granted. The Information is subject to change without notice and replaces all data sheets previously supplied. The Information supplied is believed to be accurate but the Group assumes no responsibility for its accuracy or completeness, any error in or omission from it or for any use made of it. Users of this data sheet should check for themselves the Information and the suitability of the products for their purpose and not make any assumptions based on information included or omitted. Liability for loss or damage resulting from any reliance on the Information or use of it (including liability resulting from negligence or where the Group was aware of the possibility of such loss or damage arising) is excluded. This will not operate to limit or restrict the Group's liability for death or personal injury resulting from its negligence. Multicomp Pro is the registered trademark of Premier Farnell Limited 2019.