

Anti-Vandal Switches

Push Button

multicomp PRO



Specifications

Material

Body : POM, Rated UL94V-0
 Bushing : Stainless Steel, Varnish Polished
 Button : Stainless Steel, Varnish Polished
 Contact Material : Silver Alloy (4.8mm)
 Terminal : Brass, Silver Plated

Electrical

Voltage Rating : 220V
 Contact Resistance : 50mΩ max.
 Insulation Resistance : 1000MΩ min. @ 500V DC
 Dielectric withstanding voltage : 1500V RMS, 50Hz.
 Electrical Life : 50,000 Cycles min at full load

Temperature Rating

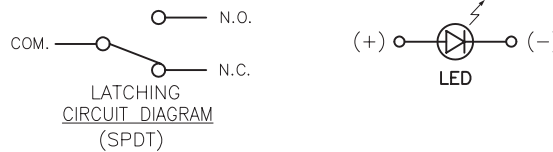
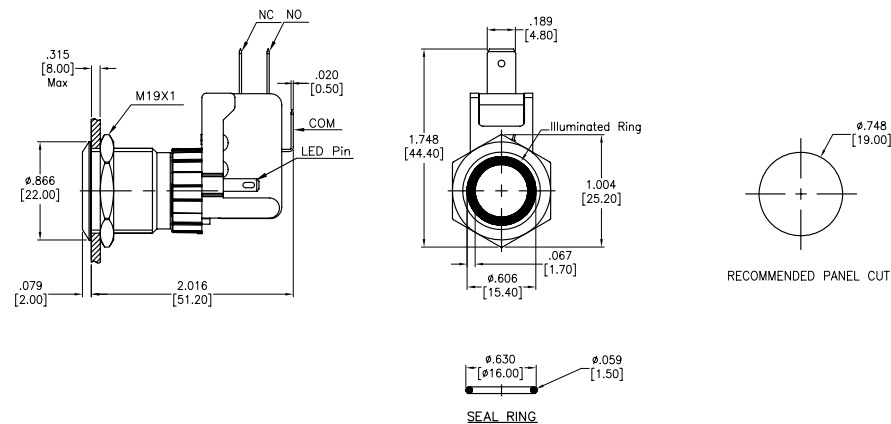
Operating temperature : -25°C to +55°C

Environmental

Front Panel Protection : IP65

**RoHS
Compliant**

Diagram



Dimensions : Millimetres

Part Number Table

Description	Button Colour	LED Voltage	Part Number
Anti Vandal Switch, SPDT, On-On, Latching	Green	12V	MP-PB7-06LB22FFRG12V
	Red		MP-PB7-06LB22FFRR12V

Important Notice : This data sheet and its contents (the "Information") belong to the members of the AVNET group of companies (the "Group") or are licensed to it. No licence is granted for the use of it other than for information purposes in connection with the products to which it relates. No licence of any intellectual property rights is granted. The Information is subject to change without notice and replaces all data sheets previously supplied. The Information supplied is believed to be accurate but the Group assumes no responsibility for its accuracy or completeness, any error in or omission from it or for any use made of it. Users of this data sheet should check for themselves the Information and the suitability of the products for their purpose and not make any assumptions based on information included or omitted. Liability for loss or damage resulting from any reliance on the Information or use of it (including liability resulting from negligence or where the Group was aware of the possibility of such loss or damage arising) is excluded. This will not operate to limit or restrict the Group's liability for death or personal injury resulting from its negligence. Multicomp Pro is the registered trademark of Premier Farnell Limited 2019.

Newark.com/multicomp-pro
 Farnell.com/multicomp-pro
 sg.element14.com/b/multicomp-pro

multicomp PRO