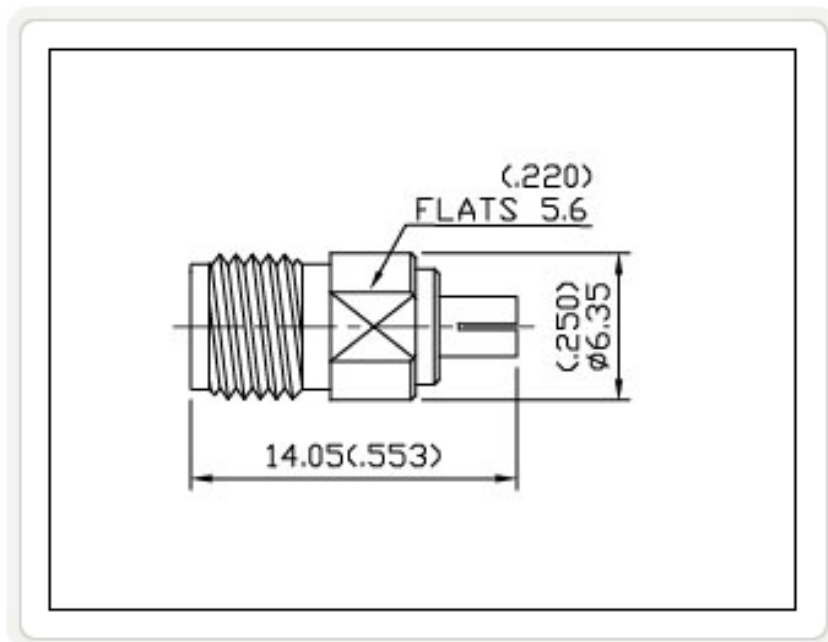


SMA Jack to U.FL Plug Straight Adapter



>> 19-81-TGG

Specification

- Finish: gold plated center contact & body
- Insulation: Teflon

Description

Features:

- > Extremely small occupied mount area
- > Frequencies up to 6 GHz
- > Board placement with automatic equipment
- > Use of ultra-fine teflon cable
- > Simple disconnection
- > User friendly mating operation

Application:

Mobile phone/ Wireless LAN/ Mini-PCI/ Bluetooth/ PDA/ GPS/ E; ectronic measuring instruments... etc.