

10.4mm x 38.5mm Ceramic Cartridge Power Fuse - Through hole

multicomp PRO

**RoHS
Compliant**



Application

Designed for use in large-scale air conditioning units

Specification

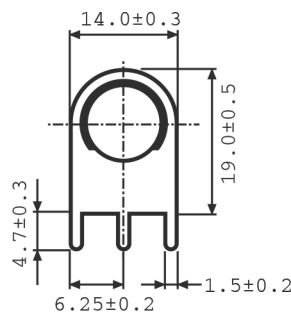
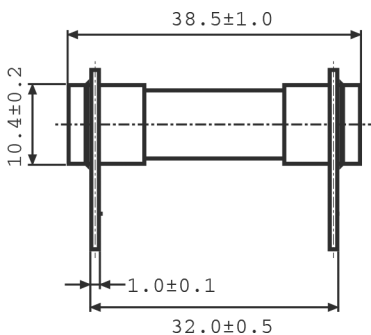
Current Rating	: 40A to 70A
Voltage Rating	: 250/500V
Interrupting Current rating	: 2,000 amperes at 500V AC 2,000 amperes at 250V AC 1,000 amperes at 125V DC
Fuse Body Material	: Ceramic
Fuse Caps Material	: Nickel Plated Copper Alloy
Termination Material	: Tin Plated Copper
Operating Temperature	: -55°C to 125°C

Electrical Characteristics

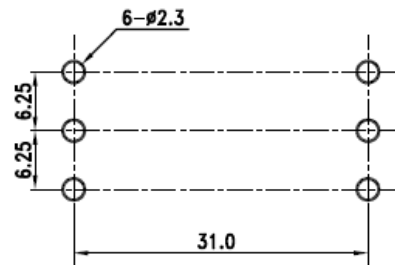
Rating	100% Rating		200% Rating	
	Min.	Max.	Min.	Max.
40A - 70A	4hr	-	-	120sec

Part Number	Ampere Rating (A)	Voltage Rating (V)	Nominal Cold Resistance (Ohms)	Nominal Melting I ² t (A ² sec.)
MP001909	40A	250/500V	0.0019	2616
MP001910	50A		0.0014	3975
MP001911	63A		0.0011	6271
MP001912	70A		0.001	11760

Mechanical Dimensions



Recommend Circuit Board distance



Dimensions : Millimetres

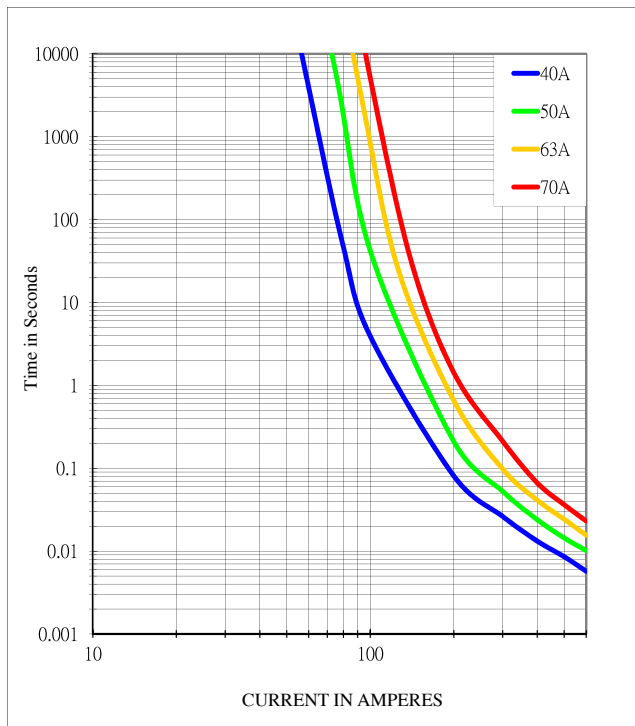
Newark.com/multicomp-pro
Farnell.com/multicomp-pro
Element14.com/multicomp-pro

multicomp PRO

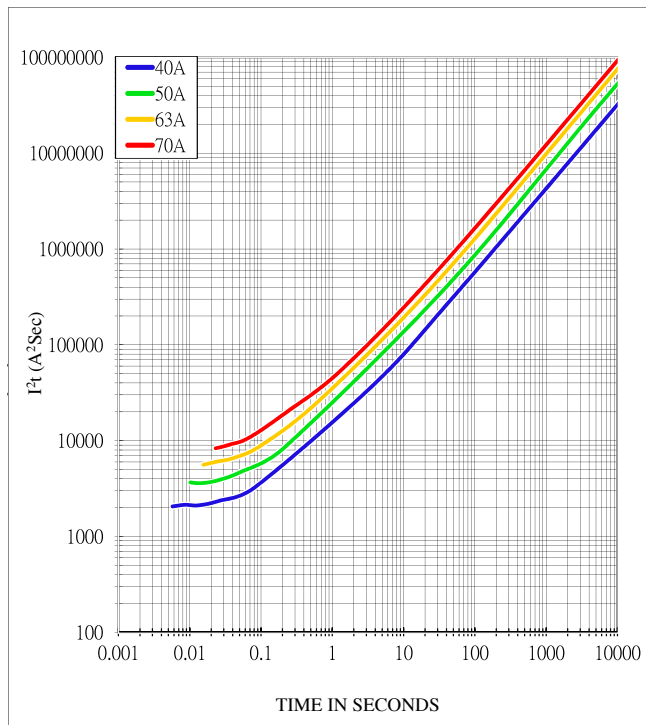
10.4mm x 38.5mm Ceramic Cartridge Power Fuse - Through hole

multicomp PRO

Average Melting It Curves



Average Melting I²t Curves



Part Number Table

Description	Part Number
Ceramic Cartridge Power Fuse, Ø10.4mm x 38.5mm, 40A, 500V AC, Through hole	MP001909
Ceramic Cartridge Power Fuse, Ø10.4mm x 38.5mm, 50A, 500V AC, Through hole	MP001910
Ceramic Cartridge Power Fuse, Ø10.4mm x 38.5mm, 63A, 500V AC, Through hole	MP001911
Ceramic Cartridge Power Fuse, Ø10.4mm x 38.5mm, 70A, 500V AC, Through hole	MP001912

Important Notice : This data sheet and its contents (the "Information") belong to the members of the AVNET group of companies (the "Group") or are licensed to it. No licence is granted for the use of it other than for information purposes in connection with the products to which it relates. No licence of any intellectual property rights is granted. The Information is subject to change without notice and replaces all data sheets previously supplied. The Information supplied is believed to be accurate but the Group assumes no responsibility for its accuracy or completeness, any error in or omission from it or for any use made of it. Users of this data sheet should check for themselves the Information and the suitability of the products for their purpose and not make any assumptions based on information included or omitted. Liability for loss or damage resulting from any reliance on the Information or use of it (including liability resulting from negligence or where the Group was aware of the possibility of such loss or damage arising) is excluded. This will not operate to limit or restrict the Group's liability for death or personal injury resulting from its negligence. Multicomp Pro is the registered trademark of Premier Farnell Limited 2019.

Newark.com/multicomp-pro
 Farnell.com/multicomp-pro
 Element14.com/multicomp-pro

multicomp PRO