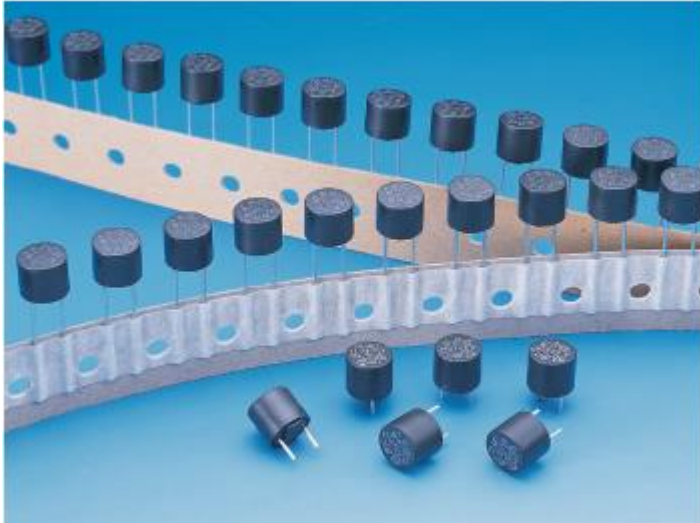


Datasheet

3.15A Radial Non-Resettable Wire Ended Fuse, 250V

RS Stock number [767-5153](#)



Specifications:

Operating Temperature

-55°C to +125°C

Vibration

MIL-STD-202G, Method 201(10-55 Hz x 3axis/no load)

Salt Spray

MIL-STD-202G, Method 101, Test Condition B (48Hrs)

Insulation Resistance

MIL-STD-202G, Method 302, Test Condition A
(After Opening) 10,000 ohms minimum

Resistance to Solder Heat

MIL-STD-202G, Method 210, Test Condition B
(10sec, at 260°C)

Thermal Shock:

MIL-STD-202G, Method 107, Test Condition B
(-65°C to +125°C)

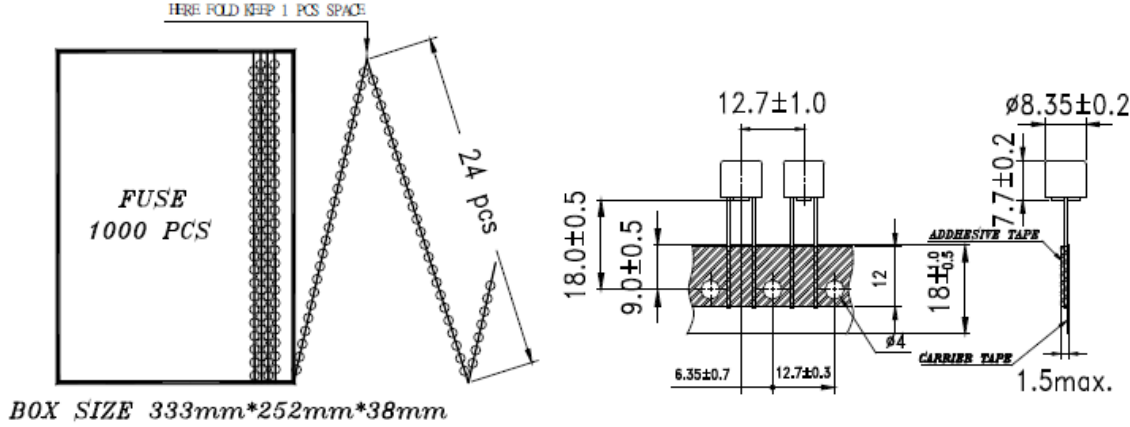
Material

Base and Cap: Black thermoplastic, UL 94-V0
Round Pins: Copper, Tin-plated

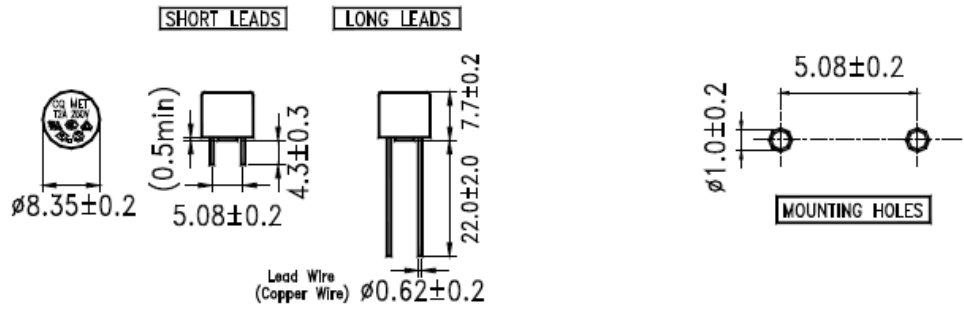
Material

Encapsulated, Epoxy-Coated Body; Solder Coated
Copper Wire Leads.
Lead Wire: Diameter 0.64mm
Wire Length: 22mm

Drawing (mm):



BOX SIZE 333mm*252mm*38mm



Electrical Characteristic:

Rated Current	1.5In		2.75In		4 In		10 In	
	MIN	MAX	MIN	MAX	MIN	MAX	MIN	MAX
40mA~5A	60 min	2 min	400 ms	10 sec	150 ms	3 sec	20 ms	150 ms
6.3 A~10A	60 min	2 min	400 ms	10 sec	150 ms	3 sec	15 ms	150 ms