

FEATURES

- Panel thickness: 1.57 mm
- Supplied with 4 rubber feet
- White colour
- Moulded bosses

RS PRO White ABS Project Box, 159 x 154 x 64mm

RS Stock No.: 220-995



RS Professionally Approved Products bring to you professional quality parts across all product categories. Our product range has been tested by engineers and provides a comparable quality to the leading brands without paying a premium price.

Product Description

This range of small ABS project boxes from RS PRO offers an excellent selection of plastic enclosures, ideal for projects within electronics. These durable boxes are made of ABS plastic, offering scratch, heat and impact resistance properties. These high quality boxes can be used to house electronic components, whilst providing superb protection. These 2-part ABS enclosures feature moulded bosses for PCB mounting, with additional side slots for chassis rail mounting in both halves.

General Specifications

Body Material	ABS
Colour	White
Ventilated	No
Carrying Handle	No

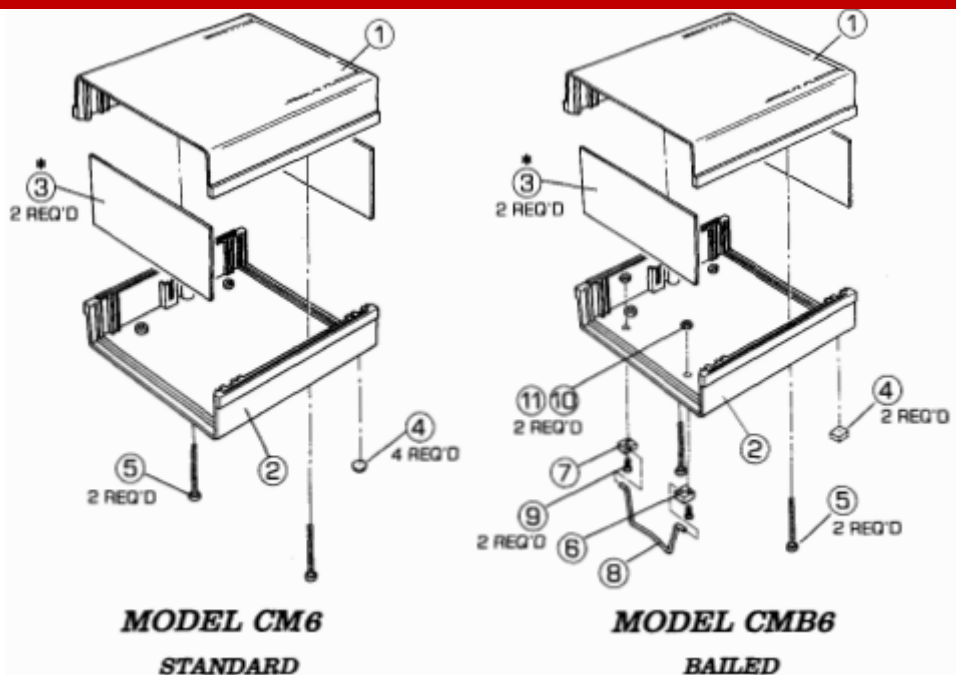
Mechanical Specifications

External Length	159mm
External Width	154mm
External Height	64mm
External Dimensions	159mm x 154mm x 64mm

Approvals

Standards Met	RoHS Compliant
----------------------	----------------





*** SUPPLIED WITH KIT ONLY**

MODEL	① TOP COVER	② BOTTOM COVER	* ③ PANEL BLANK	④ FEET	⑤ SCREW	⑥ BAIL FOOT RIGHT	⑦ BAIL FOOT LEFT	⑧ BAIL	⑨ SCREW	⑩ NUT	⑪ LOCK WASHER
CM6 225	60214-01	60214-02	60222-01	60221-01	60163-09						
CM6 300	60262-01	60262-02	60222-02	60221-01	60163-01						
CMB6 225	60214-01	63683-01	60222-01	62152-01	60163-09	61735-02	61735-01	63689-01	62153-01	63291-01	63676-01
CMB6 300	60262-01	63683-02	60222-02	62152-01	60163-01	61735-02	61735-01	63689-01	62153-01	63291-01	63676-01

60225-00 REV A 1/91