

Datasheet

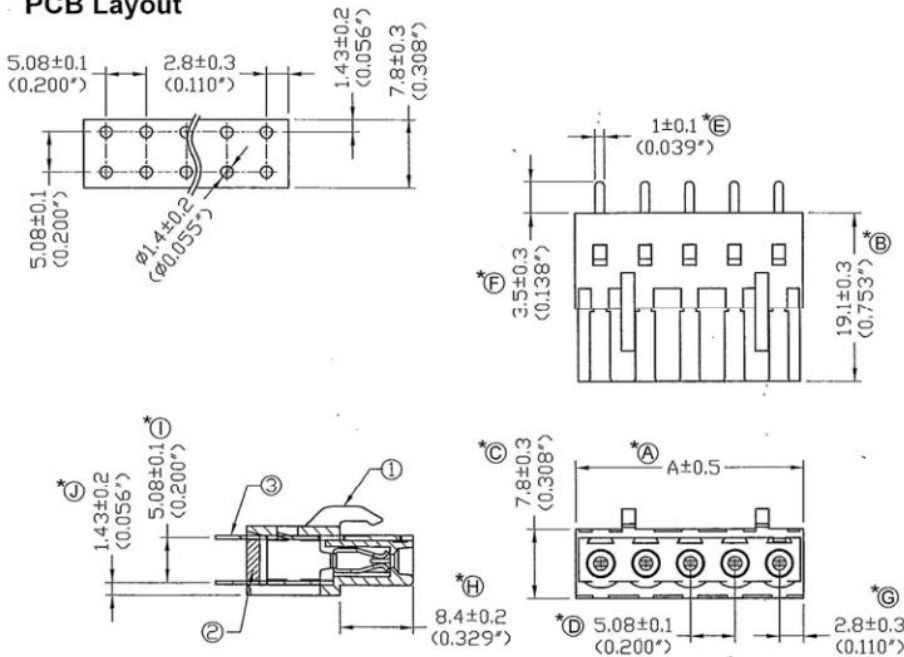
Inverted header 5.08mm 3 way

RS Stock 790-1067



Dimensions: (mm)

PCB Layout



Specification

Current Rating: 15Amp AC300V
 Insulation Withstands Volts: AC2000V Min
 Insulation Resistance: >2000M Ω DC500V
 Operation Temperature: -40°C to + 105°C

Material

Insulating Body: Polyamide 66(UL94V-0)
 Slide Cover: Polyamide 66(UL94V-0)
 Contact Pin: Phosphor Bronze / Finish: Tin Plated
 Colour: Green