



Datasheet

RS PRO Two-Part Enclosures

Stock number: 2006721

EN

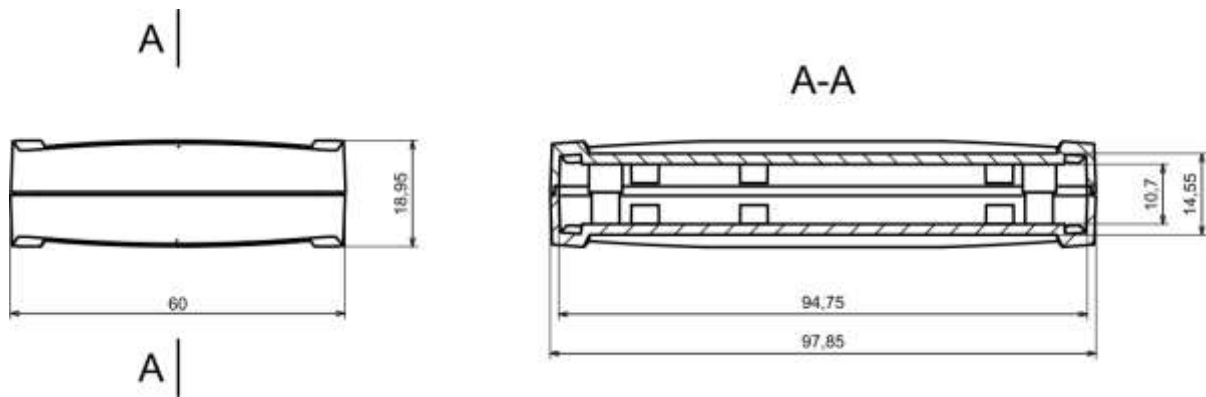


Product Details

Two-part enclosure is made of light gray ABS. The enclosure provides IP54 and IK06 rating it is ideal for applications that doesn't require hermetic seal. Both parts of enclosure has recess for keypads and overlays.

Features and Benefits

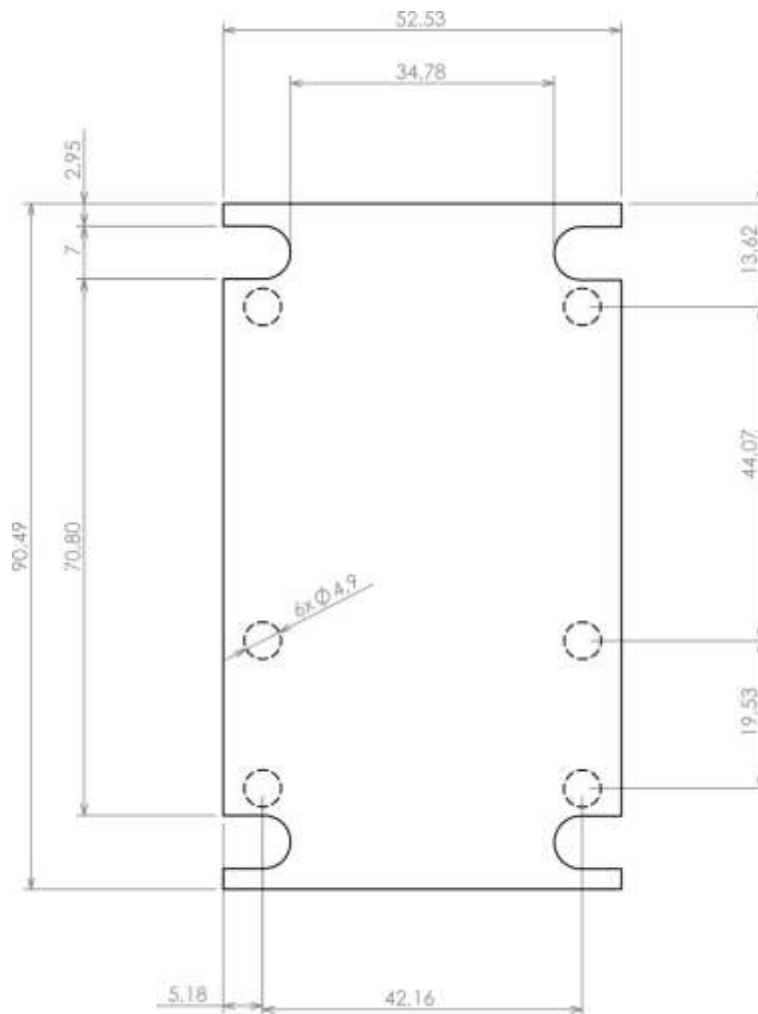
- Made of ABS
- Available in light gray color
- Protection against liquids and solid objects: IP54 rating
- Shock protection level: IK06 rating
- Supplied with screws for assembly



Category	Special enclosures with display space
Type	Full
Material	ABS
Option	Without gasket
Height	19.0 mm
Width	60.0 mm
Length	97.0 mm
Colour	Light gray
Protection level	IP54
Property class	IK06
Standards Met	RoHS Compliant
Accessories	Screw 2.5/12: 4.0 pcs
Certificate number	CE/031/18



Max PCB size



Dashed line shows outline of the mounting boss under PCB board
Recommended mounting holes diameter $\Phi 3,5\text{mm}$
All dimensions are given within $\pm 0,5\text{mm}$ tolerance