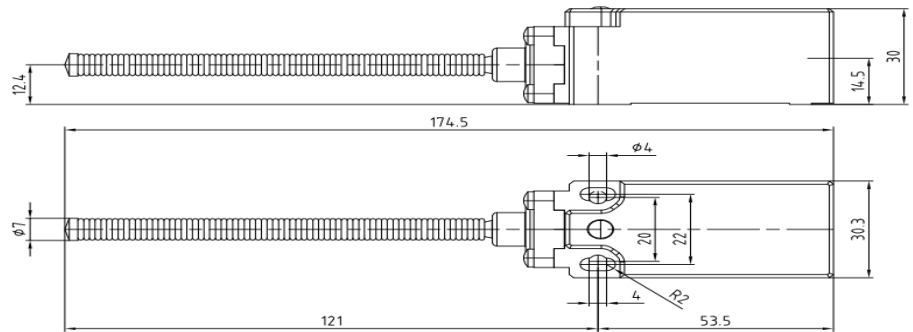
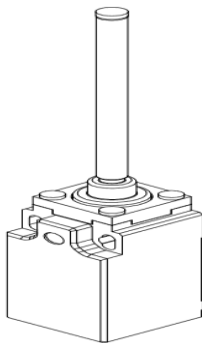




# Datasheet Limit Switch

ENGLISH

RS Stock number 902-6884



## Description:

- Double insulation, Plastic casing IP65, 30mm width
- 1 cable inlet for M20x1.5 cable gland
- Stainless steel spring multidirectional actuator
- Z11: Snap action contacts (1NO+1NC)

## Specification:

Standards		Devices conform with international IEC 947-5-1 and European EN 60 947-5-1 standards	
<b>Certifications - Approvals</b>		UL - CSA - IMQ	
<b>Air temperature near the device</b>		- 25 ... + 70	
- during operation	°C		
- for storage	°C	- 30 ... + 80	
<b>Protection against electrical shocks</b> (according to IEC 536)		Class II	
<b>Degree of protection</b> (according to IEC 529 and EN 60 529)		IP 65	
<b>Rated insulation voltage <math>U_i</math></b>		500 V (degree of pollution 3) (400 V for contacts type X12P, X21P, W03P) A 600, Q 600 (A 300, Q 300 for contacts type X12P, X21P, W03P)	
- according to IEC 947-1 and EN 60-947-1			
- according to UL 508 and CSA C22-2 n° 14			
<b>Rated impulse withstand voltage <math>U_{imp}</math></b> (according IEC 947-1 and EN 60 947-1)		6	
<b>Conventional free air thermal current <math>I_{th}</math></b> (according to IEC 947-5-1 and EN 60 947-5-1) $\theta < 40$ °C		10	
<b>Short-circuit protection</b>		10	
$U_e < 500$ V a.c. - gG (gl) type fuses			
<b>Rated operational current</b>			
$I_e$ / AC-15 (according to IEC 947-5-1)	24 V - 50/60 Hz	A	10
	120 V - 50/60 Hz	A	6
	230 V - 50/60 Hz	A	3.1
	240 V - 50/60 Hz	A	3
	400 V - 50/60 Hz	A	1.8
$I_e$ / DC-13 (according to IEC 947-5-1)	24 V - d.c.	A	2.8
	125 V - d.c.	A	0.55
	250 V - d.c.	A	0.27
<b>Switching frequency</b>		Cycles/h	3600
<b>Load factor</b>			0.5
<b>Resistance between contacts</b>		mΩ	< 25
<b>Connecting terminals</b>		M3.5 (+, -) pozidriv 2 screw with cable clamp (M3 for 3 poles contacts type)	
<b>Terminal for protective conductor</b>		-	
<b>Connecting capacity</b>		1 or 2 x mm <sup>2</sup>	0.75 ... 2.5 (0.34... 1.5 for 3 poles contacts type)
<b>Terminal marking</b>		According to EN 50 013	
<b>Mechanical durability</b>		Millions of operations	15 } AP•T { 10...12; 21; 30...34; 38 10 } { 13; 41...48; 51...55; 61...75 >5 } { 14; 35; 36; 39; 91...93; 98

For the complete list of approved products contact our technical department.

IMQ listed values