



Datasheet

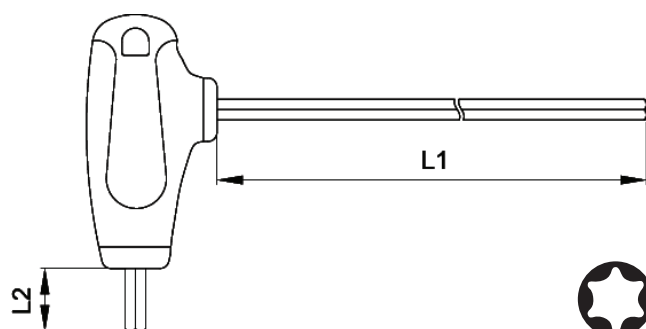
RS Pro T-Handle TORX Keys

EN



Product features:

- Chrome Vanadium Molybdenum steel
- Black phosphate finish
- Soft grip handles made of PP/TPE



RS CODE NO		a ref. mm	L1 mm	L2 mm	Ø mm	
1923648	T10	2.72	105	16	3.0	23
1923649	T15	3.26	105	17	3.5	26
1923650	T20	3.84	155	18.5	4.0	44
1923651	T25	4.40	155	20	4.5	50
1923652	T30	5.49	160	22.5	6.0	85
1923653	T40	6.60	160	24	7.0	105