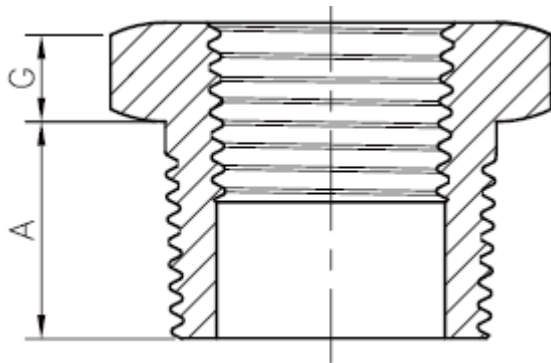
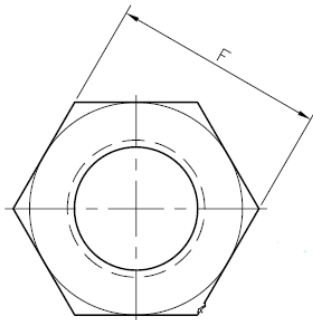


# Datasheet

## TM11- Hex Head Bushing



| SIZE |        | A(Min) |      | F   |      | G(Min) |      |
|------|--------|--------|------|-----|------|--------|------|
| DN   | NPS    | mm     | in   | mm  | in   | mm     | in   |
| 8    | 1/4"   | 11     | 0.43 | 16  | 0.63 | 3      | 0.12 |
| 10   | 3/8"   | 13     | 0.51 | 18  | 0.71 | 4      | 0.16 |
| 15   | 1/2"   | 14     | 0.55 | 22  | 0.87 | 5      | 0.2  |
| 20   | 3/4"   | 16     | 0.63 | 27  | 1.06 | 6      | 0.24 |
| 25   | 1"     | 19     | 0.75 | 36  | 1.42 | 6      | 0.24 |
| 32   | 1-1/4" | 21     | 0.83 | 46  | 1.81 | 7      | 0.28 |
| 40   | 1-1/2" | 21     | 0.83 | 50  | 1.97 | 8      | 0.31 |
| 50   | 2"     | 22     | 0.87 | 65  | 2.56 | 9      | 0.35 |
| 65   | 2-1/2" | 27     | 1.06 | 75  | 2.95 | 10     | 0.39 |
| 80   | 3"     | 28     | 1.1  | 90  | 3.54 | 10     | 0.39 |
| 100  | 4"     | 32     | 1.26 | 115 | 4.53 | 13     | 0.51 |