

## FEATURES

- Durable and easy to use
- Robust hardened steel alloy design
- Ratchet mechanism ensures that full crimp cycle is achieved
- Ratchet release mechanism
- Adjustable crimp force
- Ergonomically designed, non-slip handles for comfortable use
- Life span of 50000 cycles

## RS PRO Plier Crimping Tool for Flag Terminal

RS Stock No.: 456-7709



RS Professionally Approved Products bring to you professional quality parts across all product categories. Our product range has been tested by engineers and provides a comparable quality to the leading brands without paying a premium price.

### Product Description

From RS PRO a durable, reliable and easy to use hand operated crimping tool made from high-quality hardened steel alloy designed for crimping flag style crimp terminals. This hand tool consists of two handles with a non-slip ergonomic design for comfortable use, a ratchet mechanism, and a die assembly.

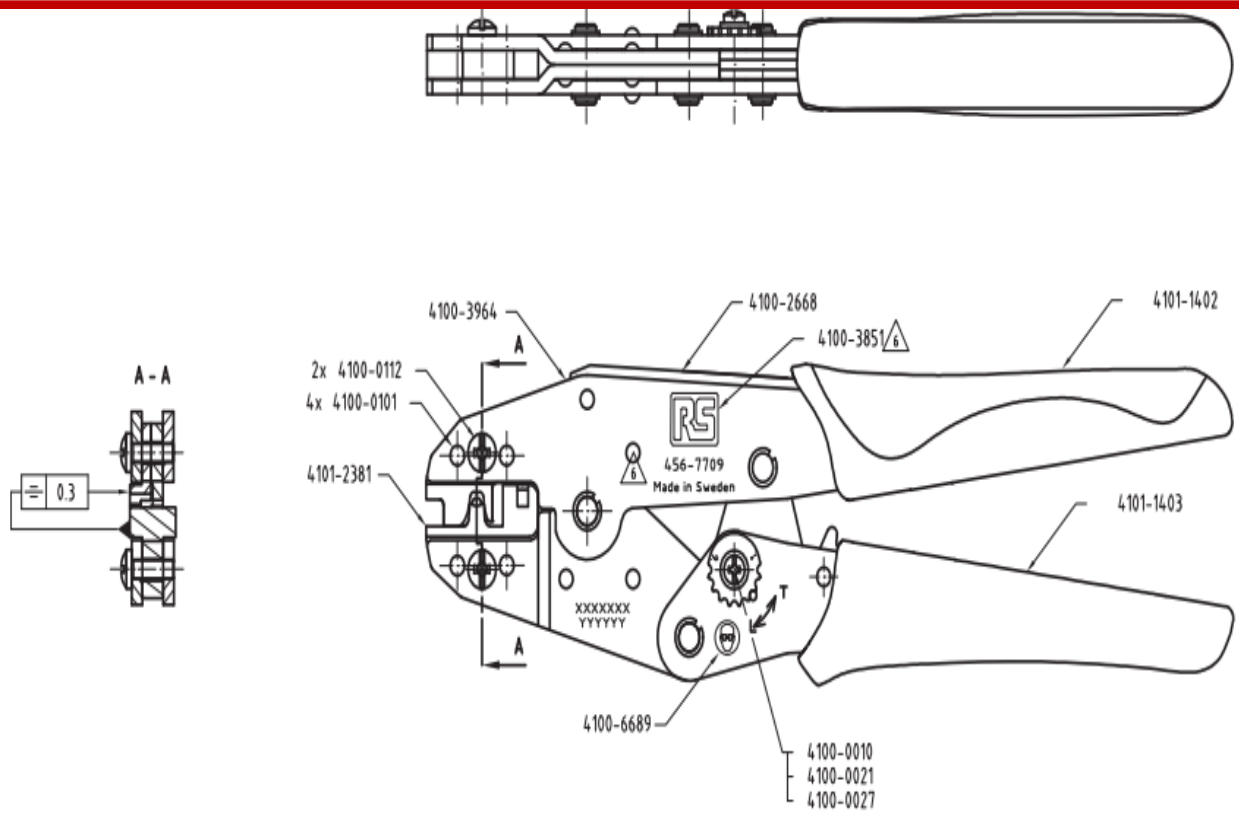
### General Specifications

<b>Crimp Tool Type</b>	Plier
<b>Crimp Connector Type</b>	Flag Terminal
<b>Crimp Profile</b>	B/F Open barrel
<b>Applications</b>	Maintenance & repair, Electrical Installations, Cable assemblies

### Mechanical Specifications

<b>Overall Length</b>	225mm
<b>Width</b>	21 mm/ 0,83"
<b>Height</b>	70 mm/ 2,76"
<b>Wire Size (mm<sup>2</sup>)</b>	0.75mm <sup>2</sup> -2.5mm <sup>2</sup>
<b>Wire Size (AWG)</b>	18-14AWG
<b>Life span, cycles</b>	50000
<b>Weight</b>	537gr/ 1.18lb
<b>Crimp nest</b>	0.75-2.5 mm <sup>2</sup> /18-14 AWG





S