

FEATURES

- Rated currents up to 10A
- The product uses ultra small size or Snap-in version
- For one or two fuses
- There are a variety of parts and combinations to meet different customer's EMC tests

RS PRO Power Line Filters

RS Stock No.: 2378650, 2378651



RS Professionally Approved Products bring to you professional quality parts across all product categories. Our product range has been tested by engineers and provides a comparable quality to the leading brands without paying a premium price.

Product Description

- Portable electrical and electronic equipment
- Single-phase power supply , switch-mode power supply
- Small and medium-sized machines and household equipment etc
- Medical equipment

General Specifications

Available with fuse holder for two (5*20mm) fuses
 (R5) types comply with the requirements of IEC/EN60601-1 for safety clearance, leakagecurrent and hipot testing. There are a variety of parts and combinations to meet different customer's EMC tests. Customized products according to customer's requirements

Mechanical Specifications

size	52X28X39.5mm (L X W X H)
weight	0.060kgs

Electrical Specifications

Rated Voltage Max.	250VAC,50/60Hz
Operating frequency	DC to 400Hz
Rated currents	2A@40°C
Hipot Rating	L-N 1450VDC, L/N-G 2000VAC/2250VDC

Protection Category

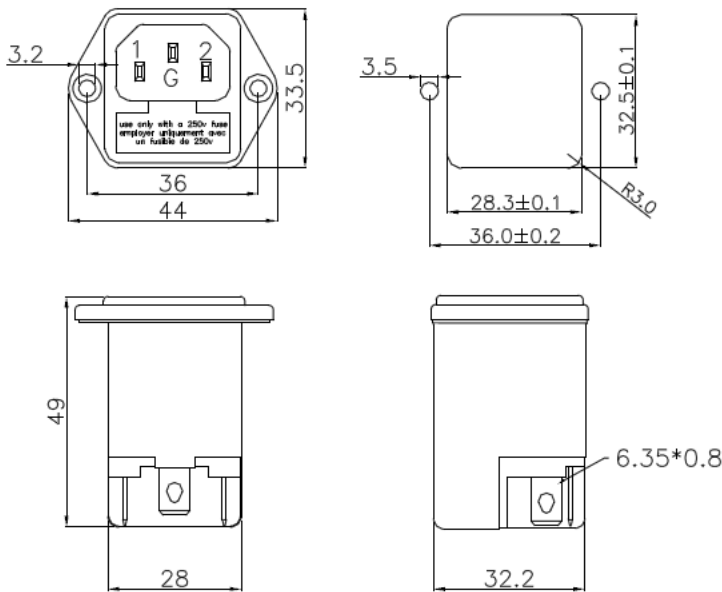
according to IEC 60529 IP40

Approvals

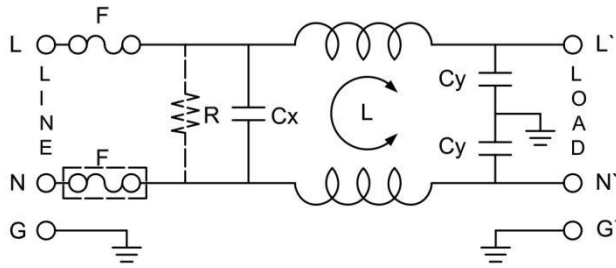
<i>Declarations</i>	CUL;TUV;CQC;CE
<i>Standards Met</i>	UL1283, CSA C22.2 No.8; IEC/EN 60939,; CQC GB 15288/GB 15287-2008

Physical Dimensions:

SUGGESTED PANEL CUTOUT
(MOUNTING FROM FRONT)



Electrical Schematic:



Insertion loss table(In 50ohm system according IEC/CISPR No.17)

———— Common mode - - - - - Differential mode

2A

