



ENGLISH

Datasheet

RS PRO IP67 Snap-In Connector – 5 pole



The RS PRO waterproof Snap-In series of connectors are a miniature range of cable to panel or cable to cable connectors that are ideal for use when space is at a premium. With an outer diameter of just 8mm these connectors are both small and robust, being environmentally sealed to IP67 making them perfect for use in outdoor applications. The panel mount connectors are also rear potted, this ensures your panel is still sealed to an IP67 rating even when the connector is unmated. Available in 2, 3, 5 or 6 pin variations with both male and female panel mount options available.

Features & Benefits:

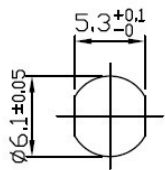
- PA66 Housing
- IP67
- Rear-potted
- Snap in Mating
- 5 pole
- 30V
- 2A

Quality Standards

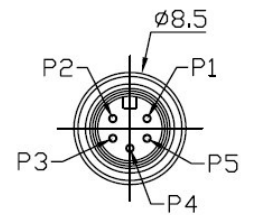
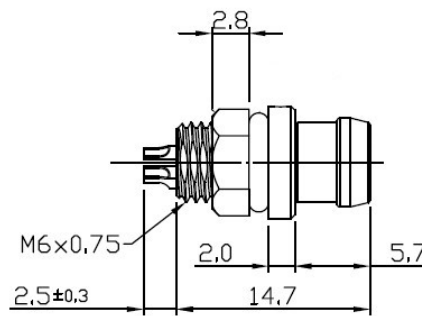
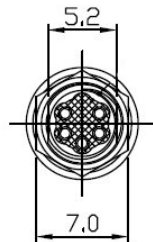


Dimensional line drawings

Snap-In Panel Mount 5 Pole Male 231-7924

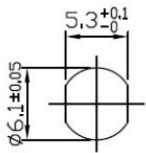


Recommend
Panel Cut-Out

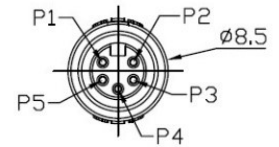
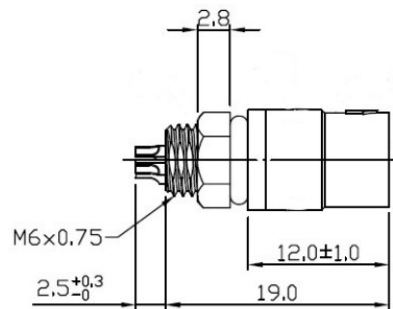


Dimensional line drawings

Snap-In Panel Mount 5 Pole Female 231-7920



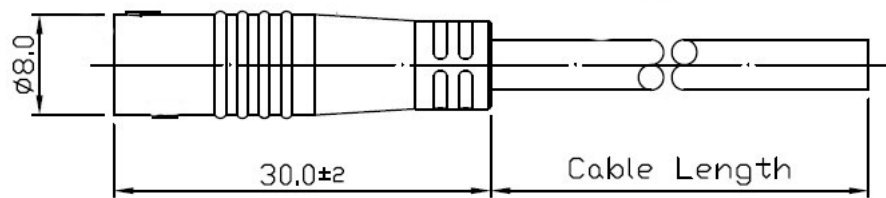
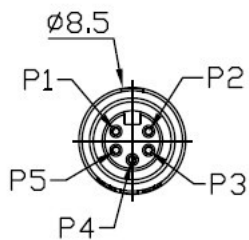
Recommend
Panel Cut-Out



Dimensional line drawings

Snap-In Panel Mount 5 Pole Female with 2m Cable

231-7929

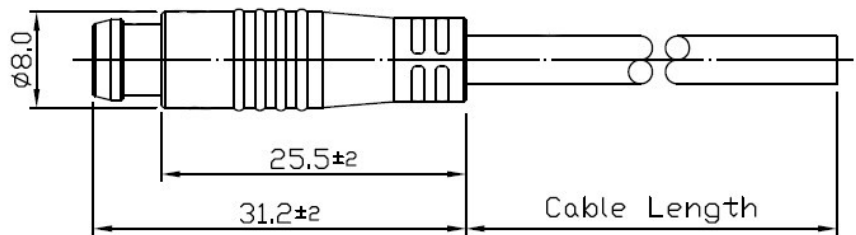
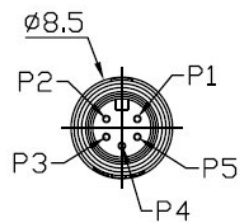


1	Black
2	Brown
3	Red
4	Orange
5	Yellow

Wiring Diagram

Dimensional line drawings

Snap-In Panel Mount 5 Pole Male with 2m Cable 231-7933



1	Black
2	Brown
3	Red
4	Orange
5	Yellow

Wiring Diagram