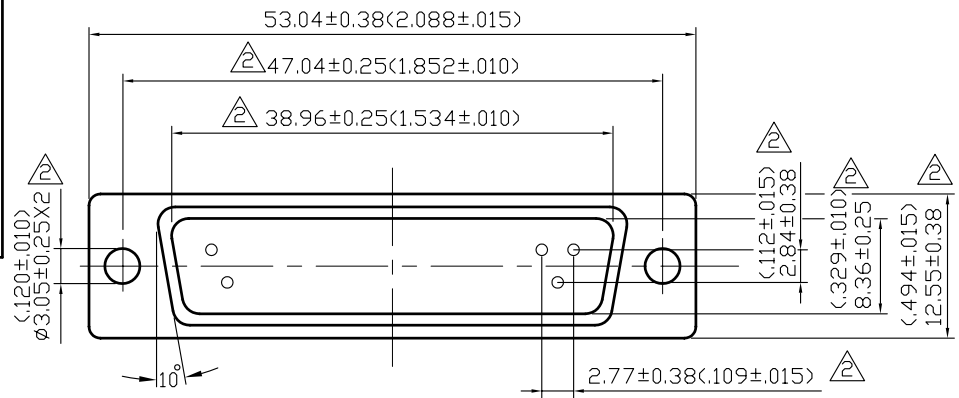
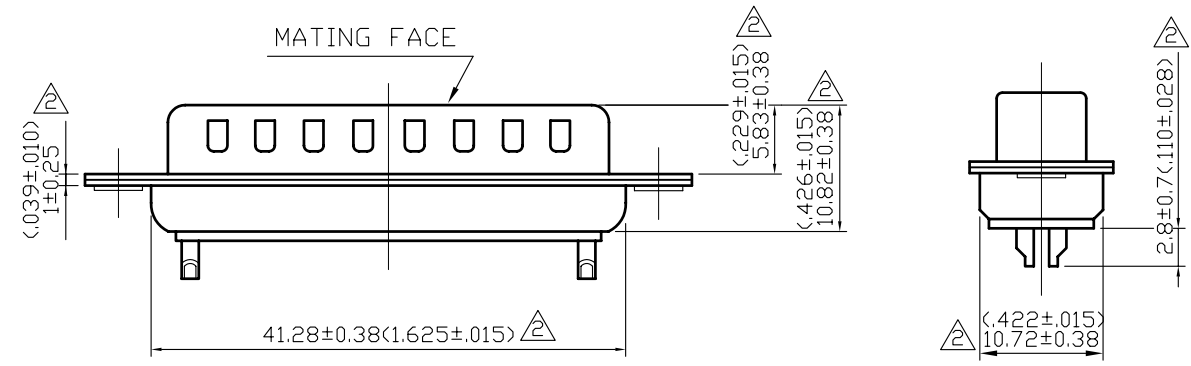


NO	DESCRIPTION	DATE
1	ADD MIS PART NO.	04.01.04
	ADD DESCRIPTION 47.04±0.13 → 47.04±0.25 38.96±0.13 → 38.96±0.25 ø3.05 → ø3.05±0.25 8.36 → 8.36±0.25 12.55 REF. → 12.55±0.38 2.77 → 2.77±0.38 41.3 REF. → 41.28±0.38 1 → 1±0.25 (5.84) → 5.83±0.38 10.72 REF. → 10.72±0.38 11 REF. → 10.72±0.38 3.3 REF. → 2.8±0.7 2.84 → 2.84±0.38 MIS PART NO. → P/N	03.13.08



CONTACT TYPE FORMED CONTACT  
 COLOR OF INSULATION WHITE PBT GLASSFIBRE REINFORCED  
 PLATING OF CONTACT GOLD <5 MICRO INCHES>  
 SOLDER TERMINATIONS TIN  
 WORKING VOLTAGE 500V AC AT SEA LEVEL  
 CONTACT RESISTANCE 10m OHM MAX.  
 MATING CYCLES 150 TIMES  
 PLUG DIMPLED



△ △ P/N: 544-3806

APPROVED

by \_\_\_\_\_ DATE: \_\_\_\_\_



DESCRIPTION		D-SUB WITH 25-PIN MALE CONNECTOR BY FORMING					
製圖	DRAWN	TOLERANCE	品名	050-0025P-F	DATE	版次	REV.
	CHECK	.X ±0.2	TITLE		日期	02.23.95	A-2
檢圖	CHECK	.XX ±0.1	單位	DWG.NO. 55-0050			
	APPROVAL	.XXX ±0.05	mm(in)		SCALE		
認定		ANGLE ±5°	比例	2:1			