

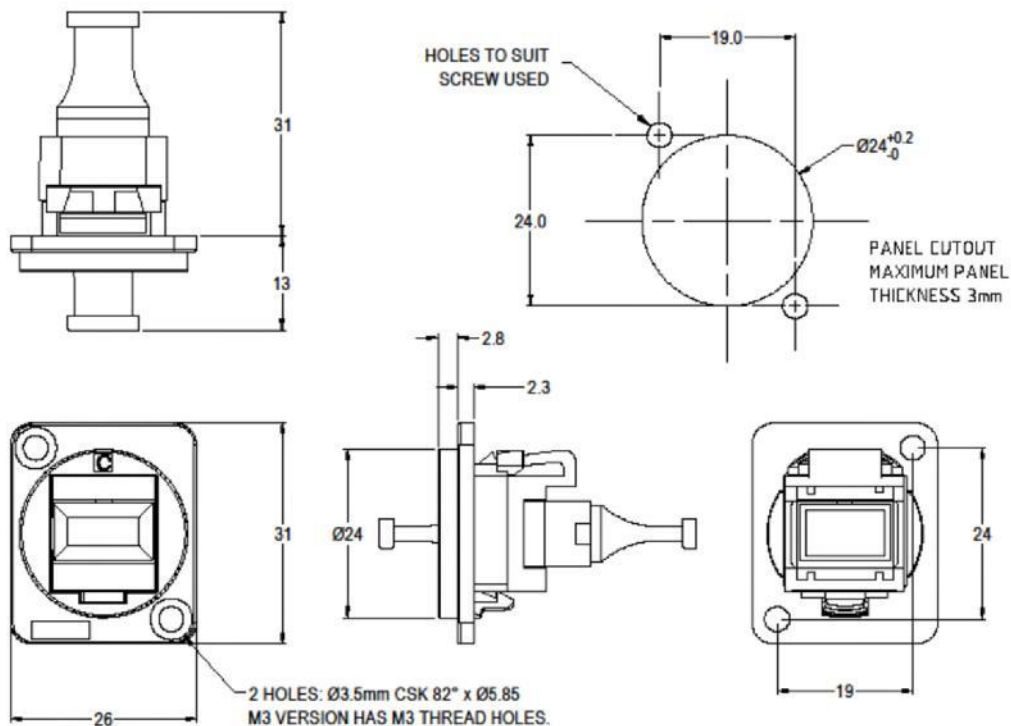


ENGLISH

Datasheet

RS PRO MTP USCONEC METAL FEEDTHROUGH CONNECTOR

Stock No: 2354788



Material:

1. Coupler Body: PES Black UL94-V0
2. Dust Cover: PEI
3. Insert: ABS/PC Black UL94-V0
4. Frame: Black Nickel plated zinc diecast

rspro.com

Features & Benefits:

- Fits standard XLR Ø24mm cutout.
- No soldering or punch termination. Use standard cable for each connector style.
- Front or rear mounted.
- Low rear profile

General:

Please note: Functionality is affected by cable quality, length and cable wiring configuration.

Variants.

2354788– MTP USCONEC Black metal frame, M3 hole



rspro.com

