



ENGLISH

Datasheet

RS Article:1854760

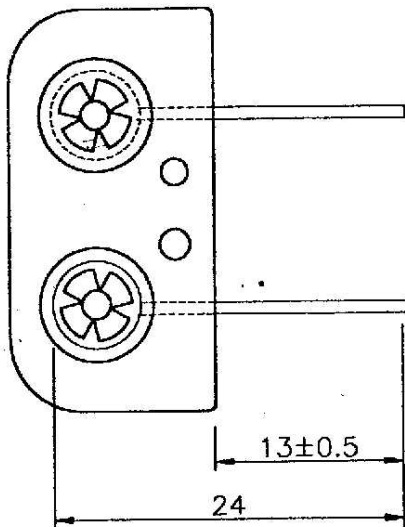
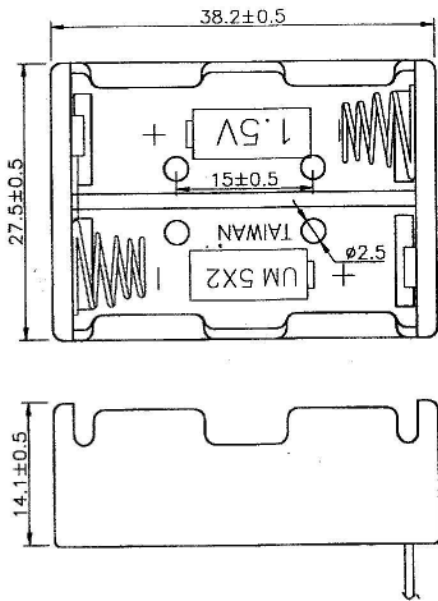
RS Pro Battery Holder



1. Preface:

The purpose of this product specification is to Dimension and drawing

N x 2 with PIN



SPECIFICATION

- (1) ITEM NO.: 1854760
- (2) PIN: $\phi 0.8 \times 24$ MM
- (3) MATERIAL: P.P. RESIN, BLACK COLOR
- (4) SPRING: 0.5MM 65C SPRING WIRE

Measure: mm