

FEATURES

- PBT Thermoplastic casing
- Square orientation
- Can be mounted in a horizontal and vertical position
- Low noise levels
- Smooth and efficient air flow

RS PRO, 24 V dc, DC Axial Fan, 40 x 40 x 10mm, 11.9m³/h, 2.16W

RS Stock No.: 144-2037



RS Professionally Approved Products bring to you professional quality parts across all product categories. Our product range has been tested by engineers and provides a comparable quality to the leading brands without paying a premium price.

Product Description

Brought to you by RS Pro, these axial fans are a perfect choice for cooling applications. With a fully integrated electronic commutation, this axial fan provides a durable and smooth airflow to the device it is cooling. Establishing the relevant axial fan needed, the RS Pro series of DC Brushless fans are designed to be up there with the best. All models are highly reliable and excellent quality.

General Specifications

Air Flow	11.9m ³ /h
Fan Speed	6000rpm
Static Pressure	0.10in/H ₂ O max.
Noise Level	25dB
Direction of Curve	Forward
Frame	PBT Plastic
Impeller	UL94-0 Plastic
Alarm Function	Yes
Special Features	Tachometer
IP Rating	IP44
Applications	Server racks, Electrical cabinets and enclosures; Production Lines, Ceiling fan/ventilation Desktop computers, Motor engines (radiator in a car), Generators, Air compressors

Electrical Specifications

Motor	Brushless DC, Auto Restart, impedance and Polarity Protected
AC or DC Operation	DC
Power Consumption	1.68W
Supply Voltage	24VDC
Maximum Current	90mA
Dielectric Strength	1 minute at 500 VAC, max leakage < 500 Micro Amp
Insulation Resistance	10M ohm between lead wire and frame (500VDC)

Mechanical Specifications

Dimensions	40mm x 40mm x10.5mm
Height	40mm
Width	40mm
Depth	10.5mm
Bearing Type	Ball
Weight	0.2Kg (0.04lbs)
Life Expectancy	60,000 hours (L10 at 45°C)

Operation Environment Specifications

Operating Temperature	-20°C to 75°C
Storage Temperature	-45°C to 80°C

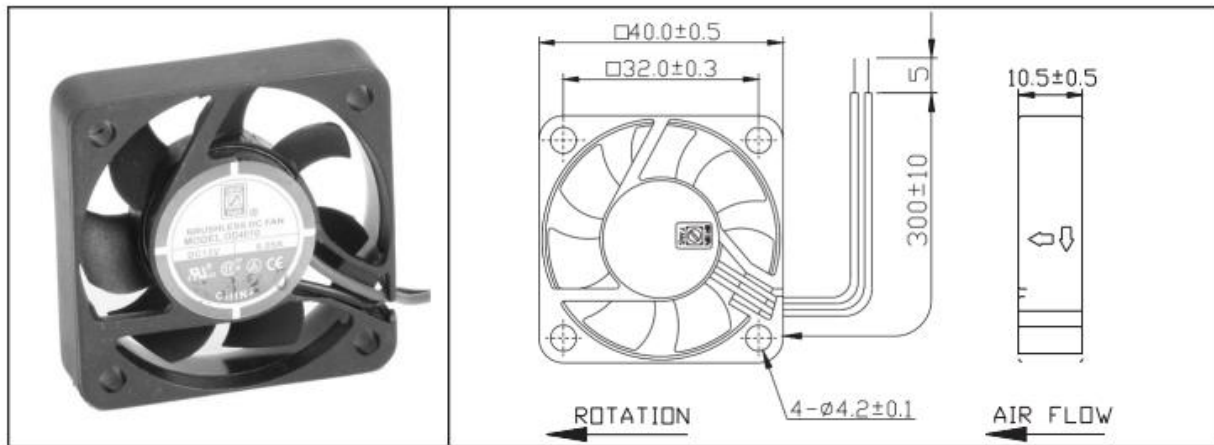
Approvals

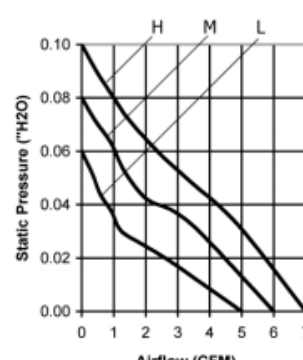
Compliance/Certifications	RoHS Certificate Of Compliance
----------------------------------	--------------------------------



Datasheet

RS Pro DC axial fan, 40x10mm 8.5cu.m/h 24V



Frame & Impeller	PBT, UL94V-0 plastic	Available Options: Tachometer Alarm PWM Sleeve bearing Life Expectancy (L10) Ball - 60,000 hrs (45C) Sleeve - 30,000 hrs (45C) Operating Temperature Ball: -20C ~ +75C Weight: ~ 0.04 lbs	
Connection	2x Lead wires 26AWG		
Motor	Brushless DC, auto restart, impedance and polarity protected		
Bearing System	Ball bearing		
Insulation Resistance	10M ohm between leadwire and frame (500VDC)		
Dielectric Strength	1 minute at 500 VAC, max leakage < 500 MicroAmp		
Storage Temperature	-40C ~ +80C		

Model Number	Speed (RPM)	Airflow (CFM)	Noise (dB)	Volts DC	Voltage Range (VDC)	Amps	Max. Static Pressure (\"H ₂ O)
OD4010-05H*	6000	7	25	5	4 ~ 5.5	0.19	0.10
OD4010-05M*	4800	6	20	5	4 ~ 5.5	0.11	0.08
OD4010-05L*	4200	5	14	5	4 ~ 5.5	0.08	0.06
OD4010-12H*	6000	7	25	12	10.8 ~ 13.2	0.10	0.10
OD4010-12M*	4800	6	20	12	10.8 ~ 13.2	0.08	0.08
OD4010-12L*	4200	5	14	12	10.8 ~ 13.2	0.07	0.06
OD4010-24H*	6000	7	25	24	21.6 ~ 26.4	0.09	0.10
OD4010-24M*	4800	6	20	24	21.6 ~ 26.4	0.08	0.08
OD4010-24L*	4200	5	14	24	21.6 ~ 26.4	0.07	0.06