

Features

- 63A
- 2 Pole
- IP65 rated
- Single Phase
- Added security
- Time saving
- Easy installation
- Reliable
- Cost effective
- Robust design
- Easy wiring
- Wide range of applications

RS PRO Enclosed Changeover Switch

RS Stock No.: 136-5288



RS PRO is the own brand of RS. The RS PRO Seal of Approval is your assurance of professional quality, a guarantee that every part is rigorously tested, inspected, and audited against demanding standards. Making RS PRO the Smart Choice for our customers.

Product Description

EN 60947-3, Padlockable in the OFF position for added security (For up to 3 padlocks)

Manual break before make, 3 position switch / centre OFF

H:180 x W:182 x D:137mm

General Specifications

Electrical Ratings

(According to IEC 60947-3)

AC Rated thermal current I_{th} (40°C) 63A
 Rated Insulation Voltage U_i (V) 690
 Rated impulse withstand voltage U_{imp} (kV) 8

AC Rated Operational Current I_e (A) 63
 Rated Voltage 415 VAC
 Utilization category AC22A

Features

- Under load operation
- Earth terminal included
- Captive +/- terminal screws
- Padlockable in OFF position (up to 3 Padlocks)
- Lid interlocked with switch in position 1 and 2
- IP65 Rating in all the enclosures
- Manufactured to IEC60947-3

Standards

IEC 60947-3

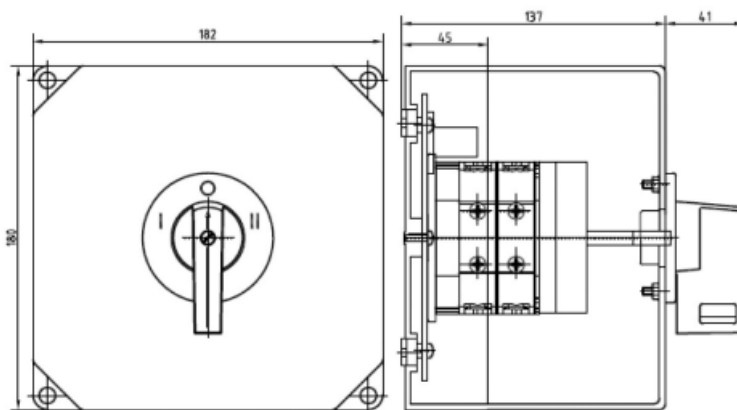
Approvals



Connection Capacity

Rigid cable (Cut) (mm²) 16/25
 Flexible cable (Cu) (mm²) 10/16

Dimensions (180x182x137)



Electrical Drawing

