

Datasheet

RS Pro Steel Zinc Plated Toggle Latch, 67.6 x 22.6 x 12.7mm

RS Stock No: **726-4144**



Product Details

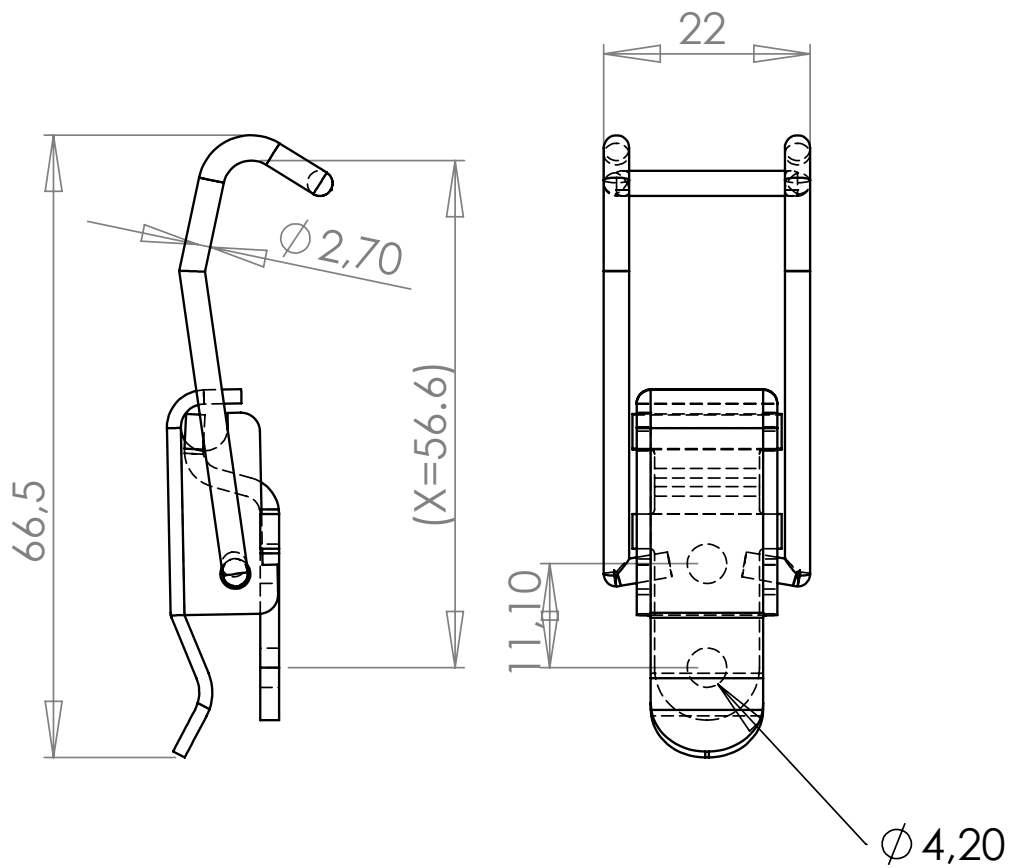
RS Pro toggle latch is made of durable steel with zinc plated finish. This latch measuring 67.6 x 22.6 x 12.7 mm, has a standard toggle latch to be used as a conventional damping device.

Features and Benefits

- Standard toggle latch which requires no catch plate due to the curvature of the linkage
- Comes in zinc plated steel finish
- Latch to catch distance of 40.4 mm

Specifications:

Depth	12.7 mm
Dimensions	67.6 x 22.6 x 12.7 mm
Finish	Zinc Plated
Length	67.6 mm
Material	Steel
Width	22.6 mm



7264144 : Zinc Plated