



# Datasheet

## RS Pro Engineer's Flat Files

EN



### Product feature:

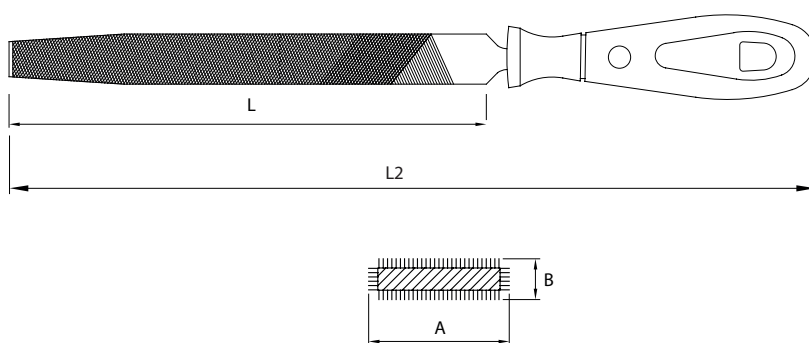
-Engineer's files -for stock removal and surface finish requirements on machined components



-High carbon content steel

-Handle material: PP and TPE

-Double-cut surfaces, edges and surfaces tapered to the tip

Type of cut: Second



RS CODE NO	CODE NO	L-MM INCH	A mm	B mm	L1 mm	Type of cut		
1611467	J55F-206HRS	150 - 6"	15,5	4	245	2	J71-03RS	100
1611468	J55F-208HRS	200 - 8"	20	4,5	315	2	J71-05RS	180
1611469	J55F-210HRS	250 - 10"	24	5,7	327	2	J71-05RS	300
1611470	J55F-212HRS	300 - 12"	29	6	415	2	J71-05RS	410