

Datasheet

Stock No: 335-959

RS Pro Round Tube End Connector, strut profile 42mm

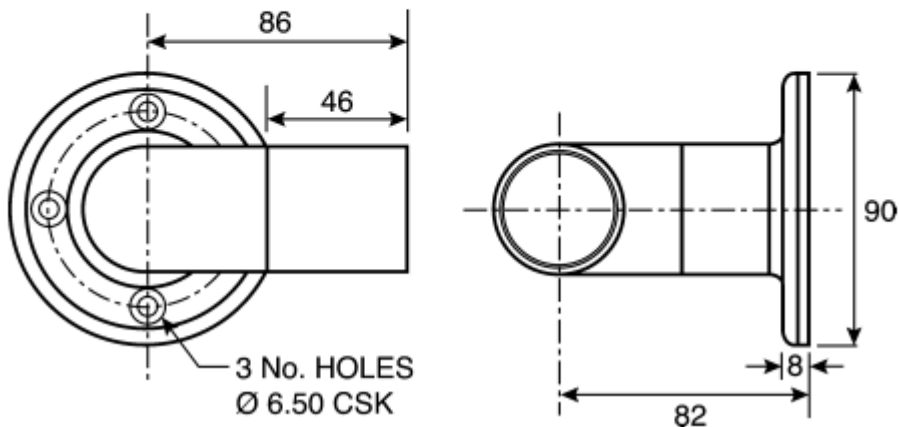


Product Details

DDA-05 End Return

Provides a 90° bend off a wall, needs to be used with stock no. [415-6220](#) to join to the handrail

Tube size reference 2





ENGLISH

DDA Handrail Fittings

These fittings meet the 1995 Disability Discrimination Act DDA. Handrails can be used to prevent people falling off edges and provide guidance/support for stairs/ramps/walkways. The fittings meet Part M - Easy grip, 40 - 50mm diameter circular section. It also provides a smooth finish between rail and fitting. Horizontal fittings use tube size 2, 42mm OD, whereas vertical fittings use tube size 3, 48mm OD.

Horizontal fittings use tube size 2 (42mm), vertical fittings use tube size 3 (48mm). Internal joint fitting 415-6220 can be used to join rails, 286-3724 plastic end stop can be used to finish off handrails, 286-3645 rail base flange to support upright posts. The galvanised steel tube sections 285-9006, 285-9012, 796-638 (horizontal) and 285-9028, 285-9034, 796-644 (vertical) can be used with these fittings.

Standards

BS EN 15019, 1995 Disable Discrimination Act DDA

Specifications:

Structural Element Type	Round Tube
Connector Type	End Connector
Fits Strut Profile	42 mm
Fits Tube Diameter	42.4mm
Product Family	RS Handrail System
Material	Cast Iron
Product System	DDA