



ENGLISH

Product Datasheet

16mm Protection Cap

Switch 16mm Flip guard 90D Rectangular



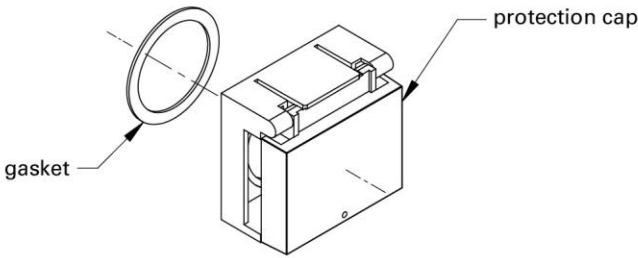
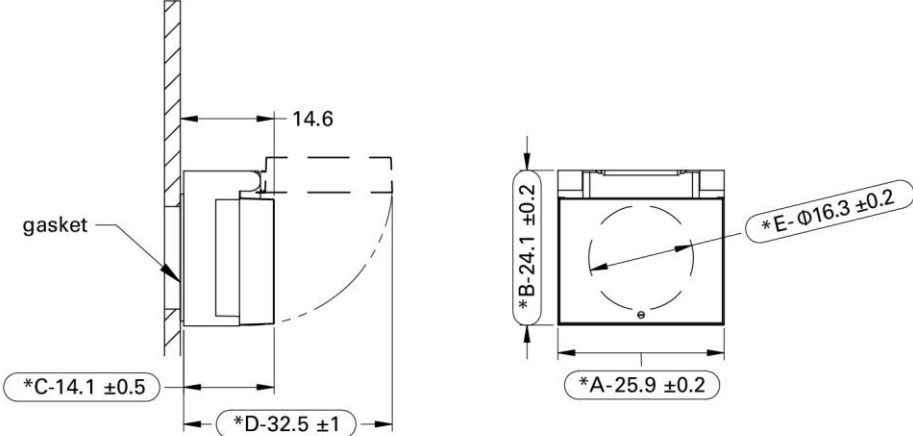
Product Specifications:

Material	Cover	Plastic
	Base	Plastic
	Gasket	Rubber
Mounting hole	Φ16.2mm	
Optics	Transparent	

RoHS
Compliant

16mm protection cap

To avoid faulty operation, housing for locking, transparent
 For square 24x18 head (90°)



Hole Dia

